

Westinghouse Electric Corporation

MODELS H-122 & H-130

Frequency Range:

Standard Broadcast550 to 1600 kc
Intermediate Frequency455 kc

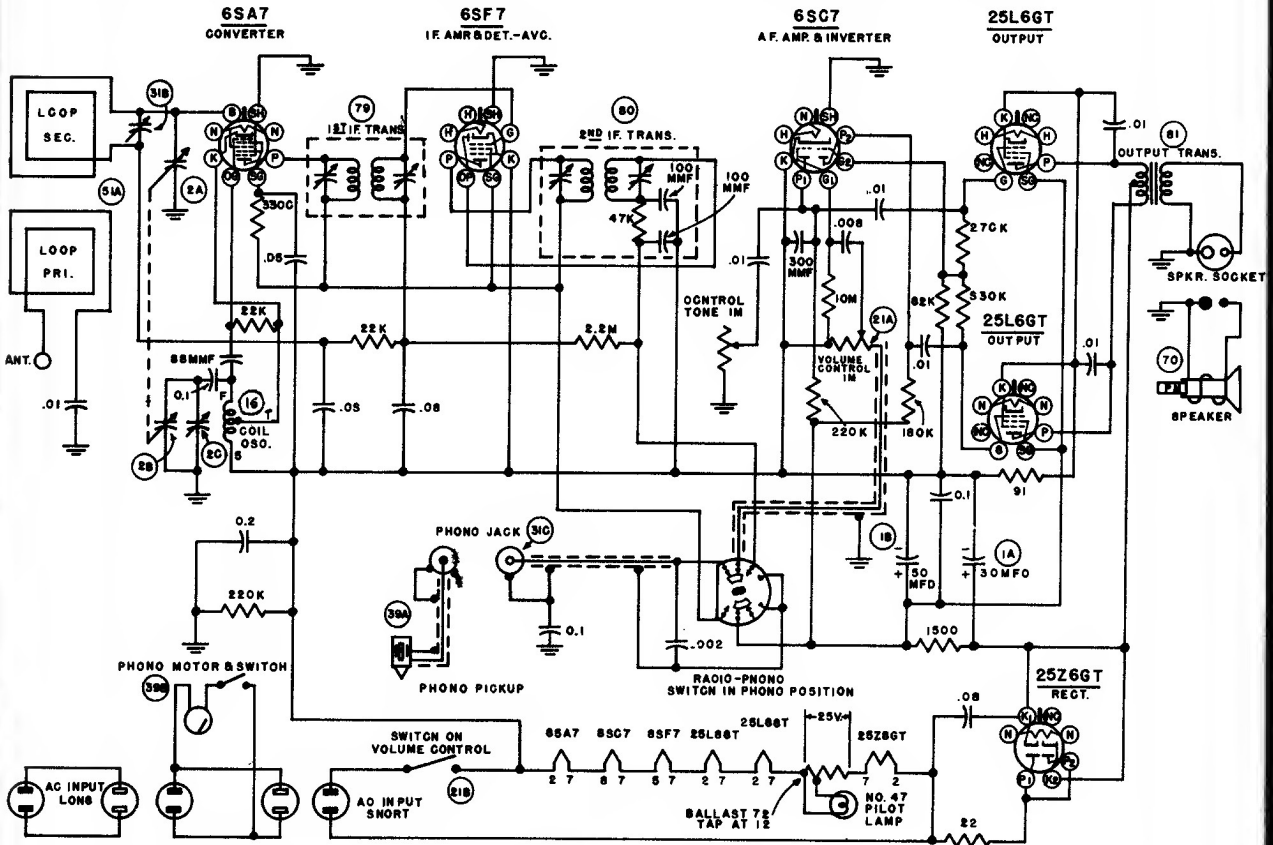
Power Output:

Undistorted (radio) 3 watts
Undistorted (phonograph)3.5 watts
Maximum 5 watts

Loudspeaker:

Type6½" dia. P.M. dynamic
Voice Coil Impedance3.2 ohms

When replacing tubes remove the snap-on fasteners or screws which hold the rear cover-loop assembly in place and carefully swing the loop around to give access to the chassis. Turn the tuning dial to 550 kc to prevent damage to the tuning capacitor plates when removing the 6SA7 tube. This will allow removal or insertion of the tubes without difficulty.



VOLTAGE AND CURRENT TABLE
ALL VOLTAGES ARE MEASURED FROM THE NEGATIVE SIDE OF THE DUAL FILTER CAPACITOR USING A 20,000 OHMS PER VOLT METER. ALL CURRENTS ARE MEASURED FROM TOP OF TUBE SOCKETS USING A BREAK-IN ADAPTER. LINE VOLTAGE 117V.A.C. SIGNAL VOLTAGE ZERO.

TUBE	SOCKET TERMINAL			1K Ω
	K	5-6	P	
6SA7	ZERO	6S	82	
6B07	ZERO			NO. 1-46 NO. 2-30
6SF7	ZERO	82	82	
25L6GT	5.4	82	120	80
25Z6GT	125			84

READINGS SHOULD APPROXIMATE THE ABOVE WITHIN 20 PERCENT.

RESISTANCE TABLE

ITEM	PRIMARY OHMS	SECONDARY OHMS	REMARKS
31A	1	1 1/2	
18	1 TO 5-1/2	1 TO 3-1/2	"F" TO "S" - 4 1/4 OHMS
79	28	28	
80	19	19	
80		47,000	INCLUDES INTERNAL RESISTOR IN SERIES WITH SECONDARY.
81	285		PLATE TO PLATE
81		1/2	PLUGS REMOVED FROM SPEAKER SOCKET
7C		5.2	PLUGS REMOVED FROM SPEAKER SOCKET

