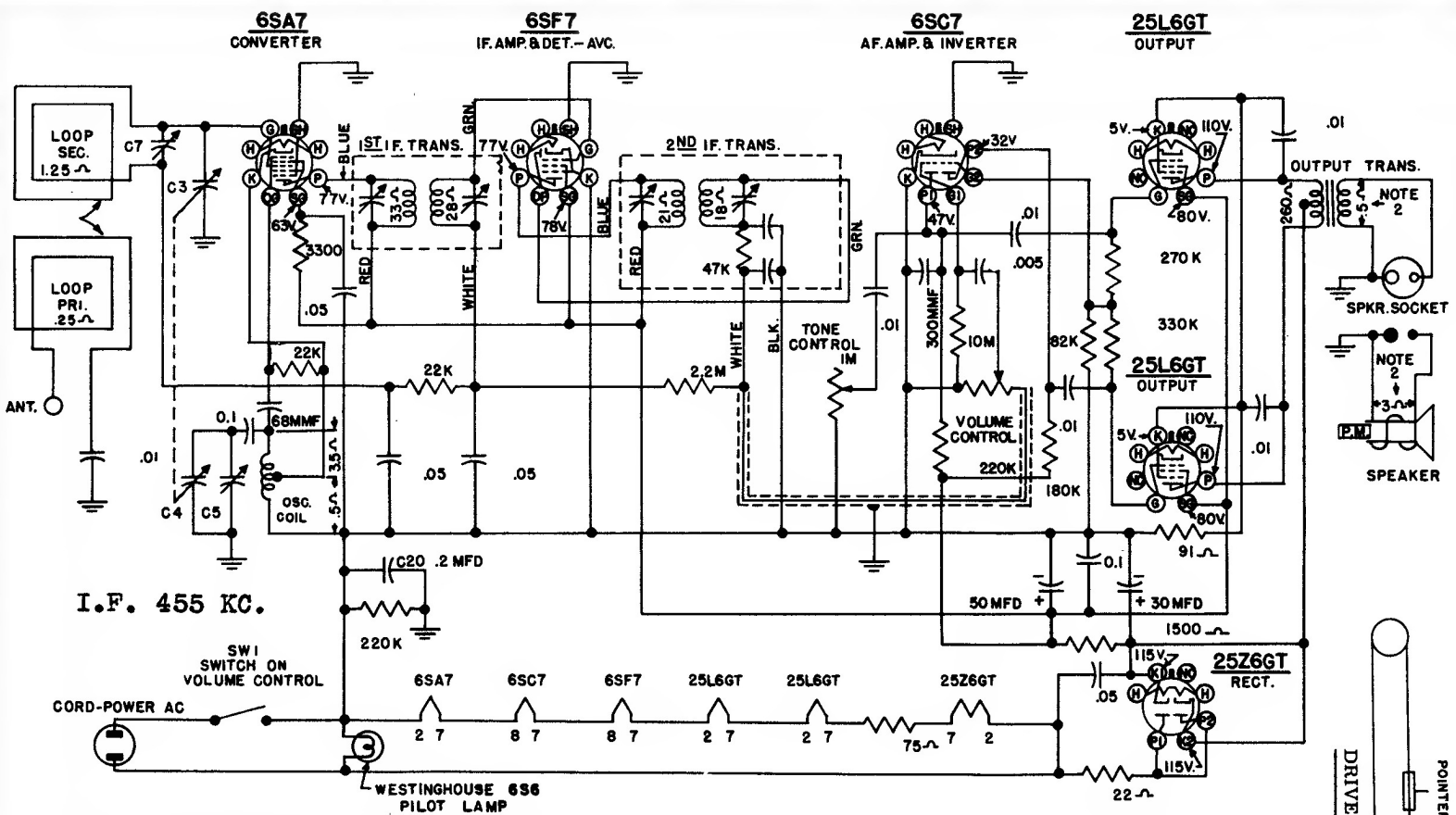


Westinghouse Electric  
Model H-157



I.F. 455 KC.

NOTE: 1. ALL VOLTAGES MEASURED FROM COMMON NEGATIVE USING A 20,000 OHMS PER VOLT METER—LINE VOLTAGE 117 VOLTS A-C. VOLTAGES SHOULD BE AS SHOWN  $\pm 20\%$ .  
2. SPEAKER PLUG REMOVED.

