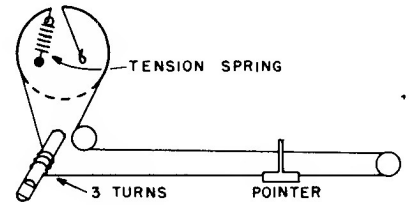
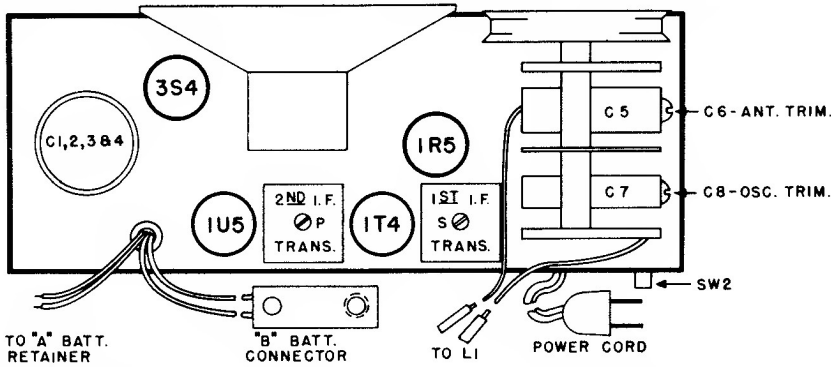
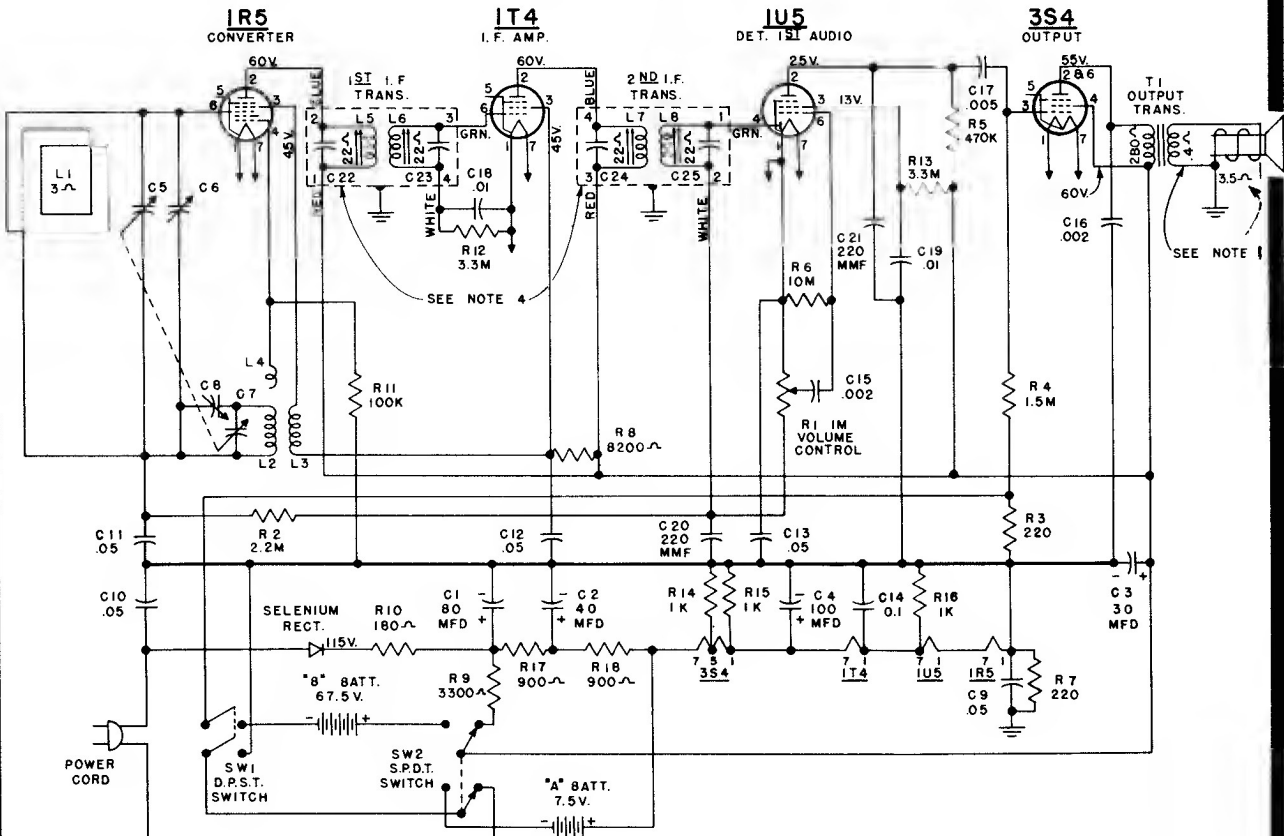


*Westinghouse Electric*  
Models H-185, H-195



Step	Connect Signal Generator to -	Signal Generator Frequency	Radio Dial	ALIGNMENT Adjust for Maximum Output
1	Stator of R-F tuning capacitor (C5) through a 200 mmf capacitor	455 kc	455 kc	Pri. and Sec. of 2nd I-F trans.
2	Stator of R-F tuning capacitor (C5) through a 200 mmf capacitor	455 kc	455 kc	Pri. and Sec. of 1st I-F trans.
3	Recheck steps 1 and 2			
4	Radiated Signal	1615 kc	1615 kc	Oscillator Trimmer (C8)
5	Radiated Signal	1400 kc	1400 kc	R-F Trimmer (C6)



NOTE:  
 1. VOICE COIL DISCONNECTED  
 2. SWITCH NO. 2 SHOWN IN AC/DC POSITION.  
 3. ALL VOLTAGES MEASURED FROM CIRCUIT (GND) USING A 20,000 OHMS/VOLT METER - LINE VOLTAGE AT 117 V.A.C. VOLTAGES SHOULD BE AS SHOWN ± 20 PER CENT.  
 4. SOME MODELS MAY HAVE CAPACITOR TRIMMERS.