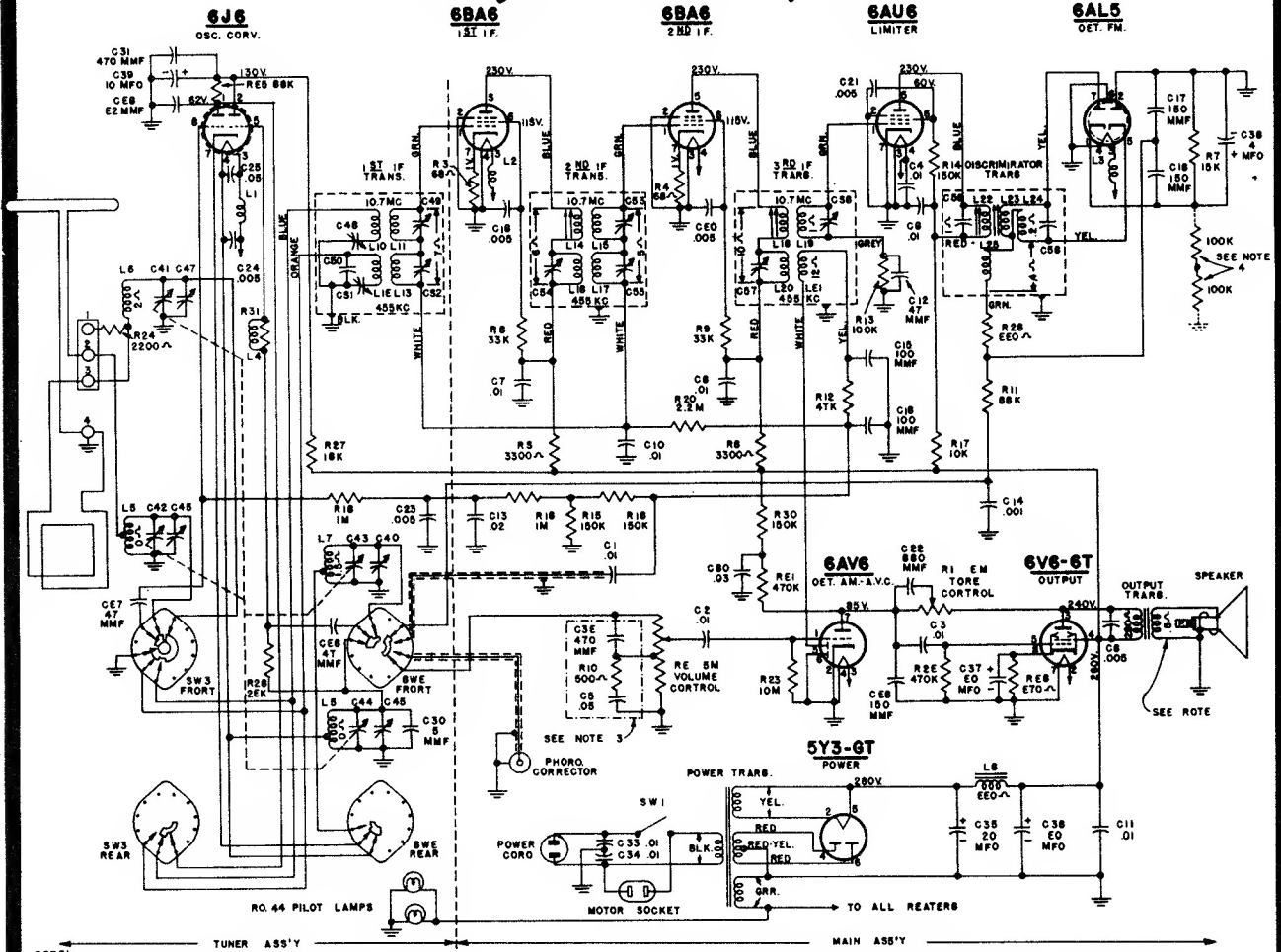
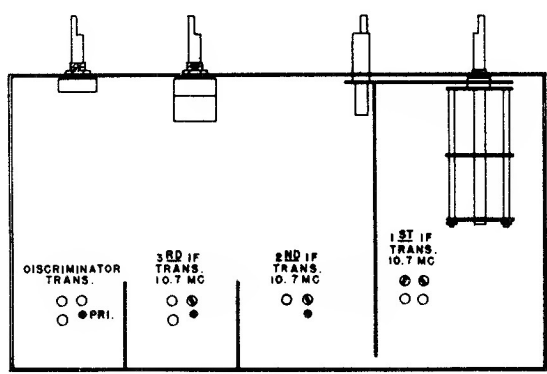
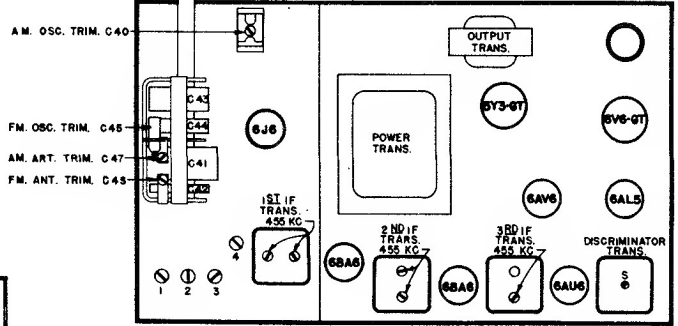


Westinghouse Electric Corporation

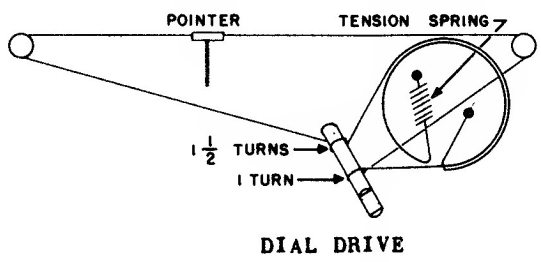


- NOTE:
1. SPEAKER DISCONNECTED.
 2. SELECTOR SWITCHES SW2 AND SW3 ARE BROWN IN EXTREME COUNTER CLOCKWISE POSITION ON FM BARO. SECOND POSITION CLOCKWISE IS AM BARO. THIRD POSITION CLOCKWISE IS PRORO.
 3. NOT USED ON EARLY MODELS.
 4. TO BE INSTALLED TEMPORARILY BY SERVICE TECHNICIAN FOR ALIGNMENT PURPOSES ONLY.
 5. ALL VOLTAGES MEASURED FROM GRASSIS (GRO) USING 20,000 OHM/VOLT METER-LINE VOLTAGE 117 V.A.C. VOLTAGES SHOULD BE AS SHOWN ± 2% PER CENT.

Westinghouse RADIO · TELEVISION H-190, H-191, & H-191A



CHASSIS NO. V-2134
BOTTOM VIEW



DIAL DRIVE