

# Westinghouse

RADIO · TELEVISION

# H-202

# H-204

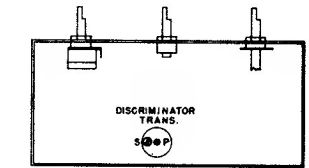
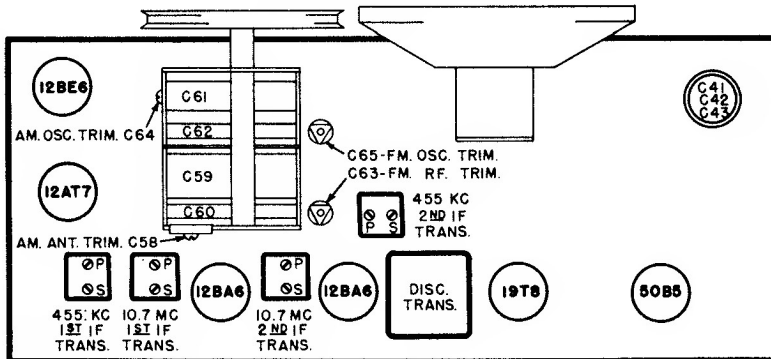


FIG. 1 - UNDER CHASSIS ADJUSTMENT

### FREQUENCY RANGES:

Standard Broadcast ... 540 to 1600 kc.  
 Frequency Modulation ... 88 to 108 mc.

### INTERMEDIATE FREQUENCIES:

Amplitude Modulation ..... 455 kc.  
 Frequency Modulation ..... 10.7 mc.

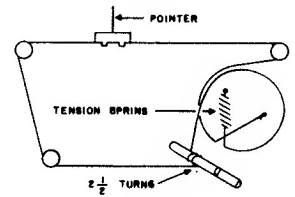
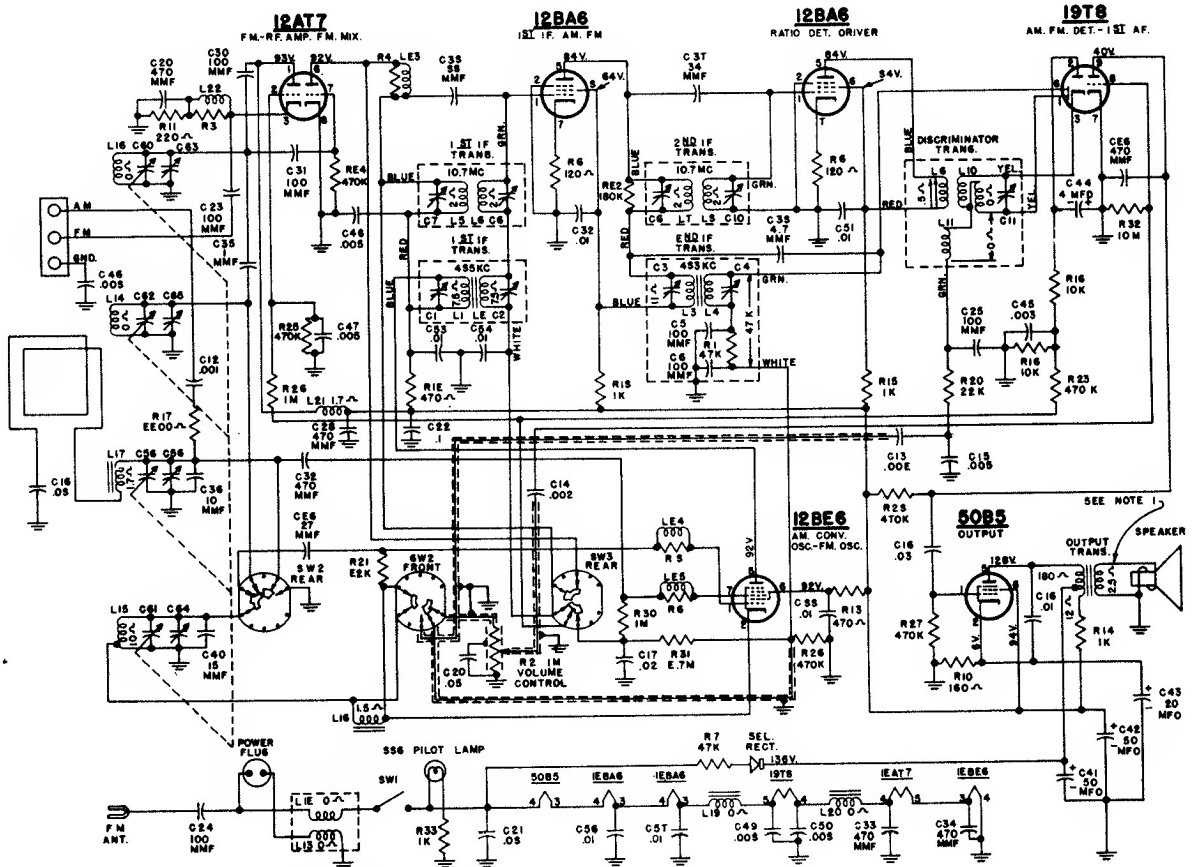


FIG. 2 - DIAL DRIVE



NOTE:

1. VOICE COIL DISCONNECTED.
2. SELECTOR SWITCH SW2 - SW3 SHOWN IN EXTREME COUNTER CLOCKWISE POSITION OR AM BAND.
3. SECOND POSITION CLOCKWISE IS FM BAND.
4. ALL VOLTAGES MEASURED FROM CHASSIS (GND.) USING 20,000 OHM/VOLT METER—LINE VOLTAGE 117 V.A.C. VOLTAGES SHOULD BE AS SHOWN ± 10 PER CENT.