

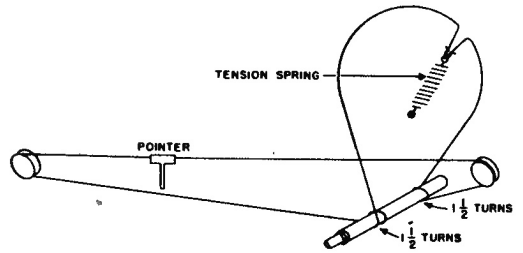
Westinghouse Electric Corporation

MODELS H-305C8 AND H-306C8

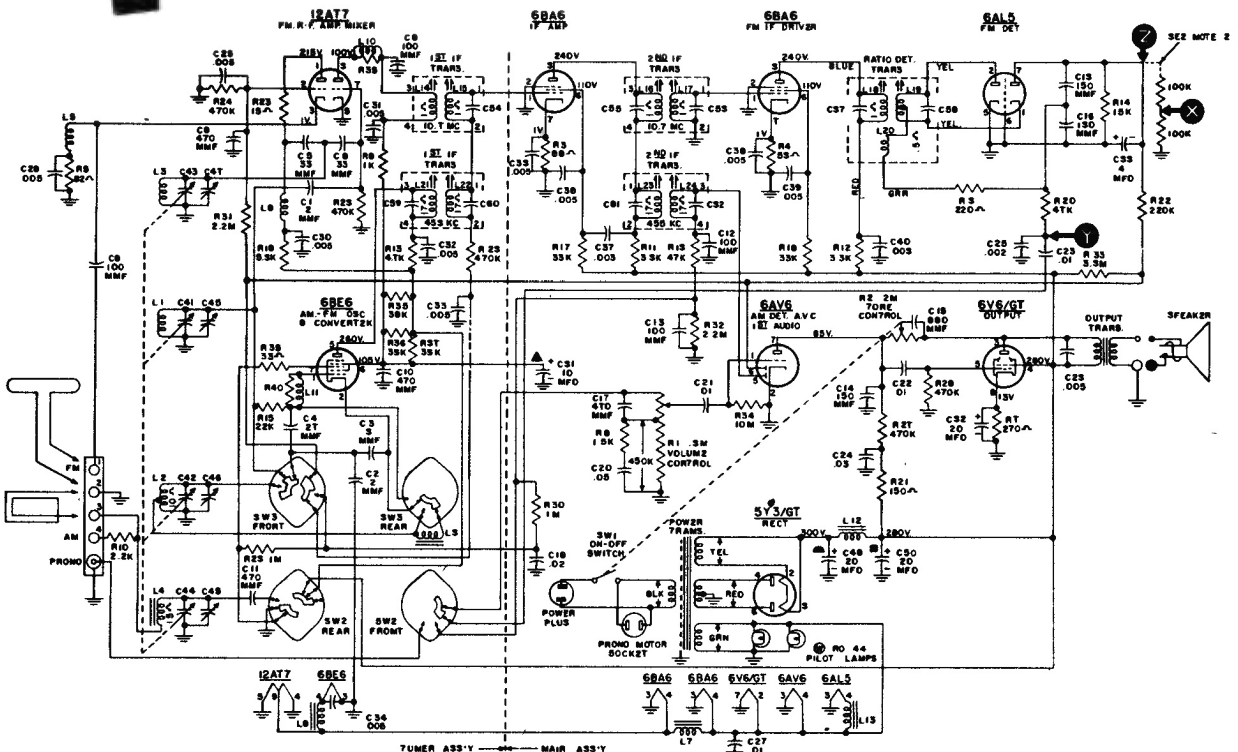
(MAHOGANY)

(BLONDE)

Chassis V-2137-4



DIAL DRIVE



NOTES
 1 SELECTOR SWITCH SW2 AND SW3 ARE SHOWN IN EXTREME COUNTER CLOCKWISE POSITION ON FM BAND
 FIRST POSITION CLOCKWISE IS AM BAND
 SECOND POSITION CLOCKWISE IS PHONO

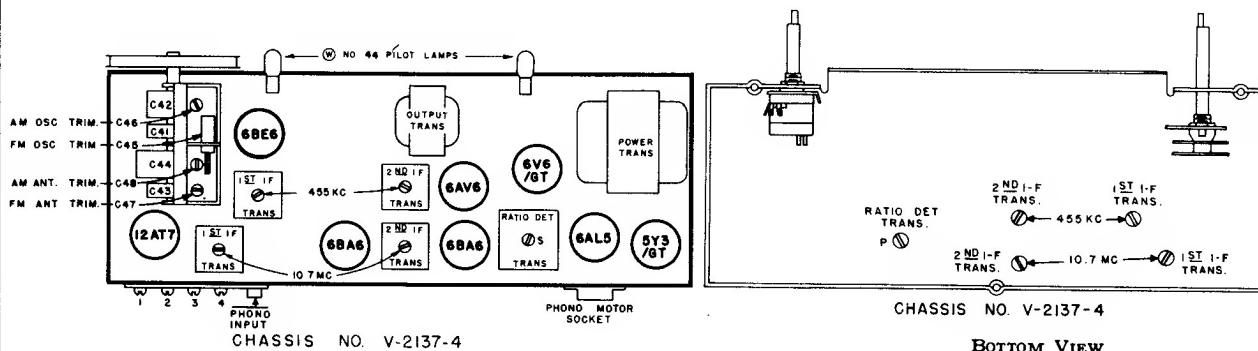
2 TO BE INSTALLED FOR ALIGNMENT ONLY.
 3 ALL VOLTAGES MEASURED FROM CHASSIS (GND) USING A 20,000 OHM/VOLT METER. LINE VOLTAGE SET AT 117 V.A.C. VOLTAGES SHOULD BE AS SHOWN ± 20 PER CENT

CHASSIS NO. V-2137-4

Westinghouse

RADIO TELEVISION

MODELS H-305C8 AND H-306C8 (Continued)



TOP VIEW

ALIGNMENT

BROADCAST BAND

Connect an output meter across the speaker voice coil.

While making the following adjustments, keep the volume control set for maximum output, the tone control set for maximum treble, and the signal generator output attenuated to avoid A.V.C. action.

Step	Connect Signal Generator to—	Signal Generator Frequency	Radio Dial Setting	Adjust
1	Set the band switch to AM.			
2	Stator of tuning capacitor (C44) through a 0.1 mfd capacitor	455 kc.	maximum capacity	455 kc. pri. and sec. of 1st and 2nd I-F trans. for max. output
<p><i>NOTE: If the I-F transformers are badly mis-aligned, it may be impossible to obtain sufficient output using the above system. In this event, it will be necessary to align each transformer separately. Start with the last I-F transformer and work forward, connecting the signal generator to the control grid of the tube preceding the transformer under alignment.</i></p>				
3	Radiated signal (no actual connection)	1600 kc.	1600 kc.	AM osc. trimmer (C46) for max. output
4	Radiated signal (no actual connection)	1400 kc.	tune to signal	AM ant. trimmer (C48) for max. output (rock-in adjustment)

FM BAND

Do not align the FM circuits until all AM adjustments have been completed.

Step	Connect Signal Generator to—	Signal Generator Frequency	Radio Dial Setting	Adjust
1	Set the band switch to FM.			
2	Connect two 100,000 ohm resistors (the resistances must be equal within 5 percent) between pin No. 7 of the 6AL5 tube and ground as shown on the schematic diagram.			
3	Connect a V. T. V. M. between points "X" and "Y" (see schematic diagram).			
4	Stator of FM ant. section (C43) on tuning capacitor through a .01 mfd mica capacitor	10.7 mc.	maximum capacity	Sec. of ratio det. trans. for zero (use medium strength signal)
5	Connect the V. T. V. M between point "Z" and ground.			
6	Same as step 4	10.7 mc.	maximum capacity	Pri. of ratio det. trans. and pri. and sec. of 10.7 mc. 1st and 2nd I-F trans. for max.
<p><i>NOTE: The pri. of the ratio det. trans. peaks in two places. Use the peak with the slug farthest out.</i></p>				
7	Reconnect the V. T. V. M. between points "X" and "Y", and increase the signal strength 10 times.			
8	Same as step 4	10.7 mc.	maximum capacity	Recheck sec. of ratio det. trans. for zero voltage
9	Reconnect the V. T. V. M. between point "Z" and ground.			
10	Same as step 4	10.7 mc.	maximum capacity	Pri. of ratio det. trans. for maximum voltage
11	Remove the two 100,000 ohm resistors that were inserted in step 2.			
12	FM ant. terminal through a 300 ohm non-inductive resistor	105 mc.	105 mc.	FM osc. trimmer (C45) for maximum output
13	Same as step 12	105 mc.	105 mc.	FM ant. trimmer (C47) for maximum output