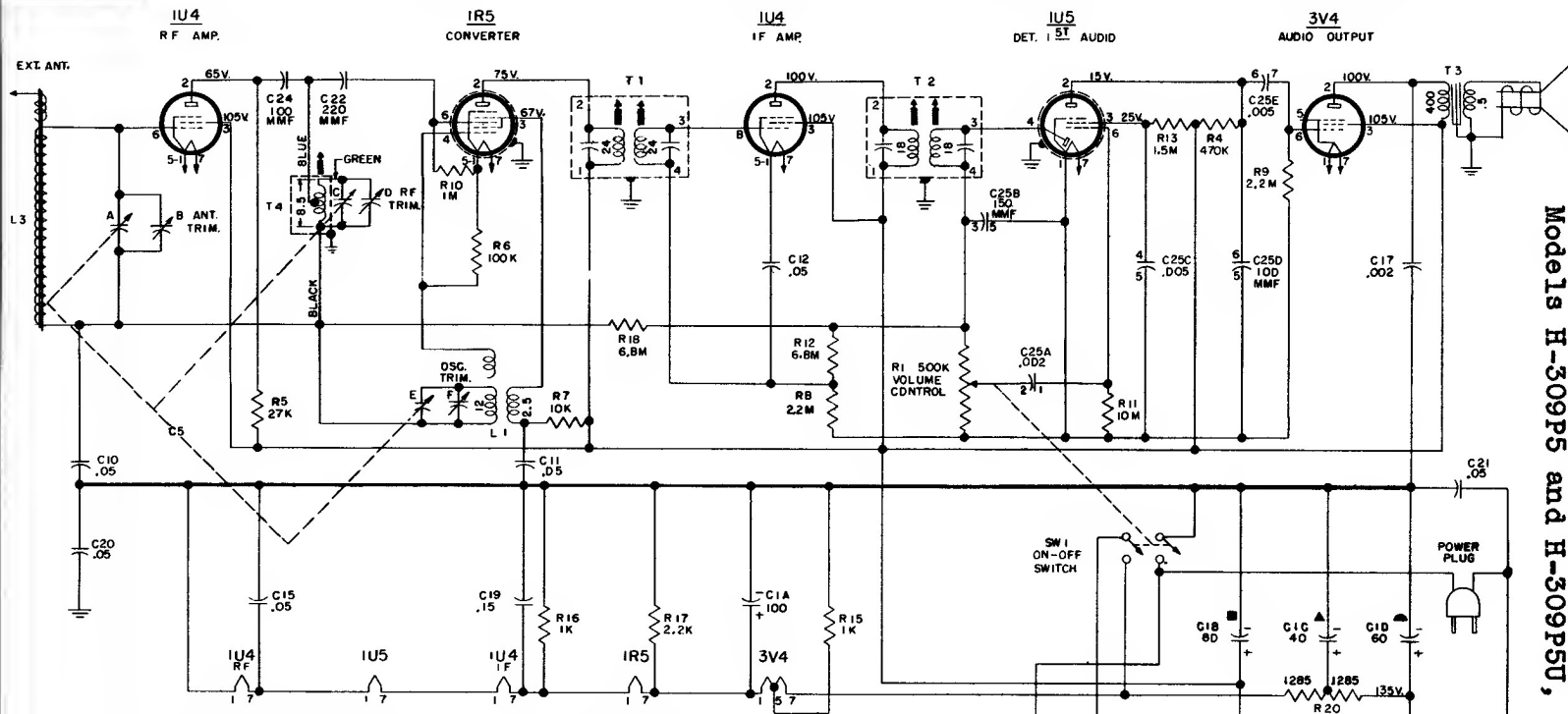


Westinghouse CHASSIS V-2156-1U

MODELS H-342P5U AND H-343P5U

Models H-309P5 and H-309P5U, Chassis V-2156, is similar.

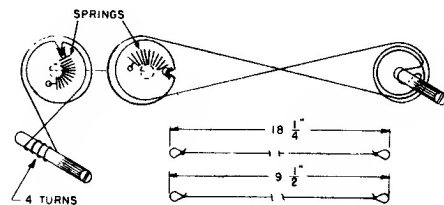
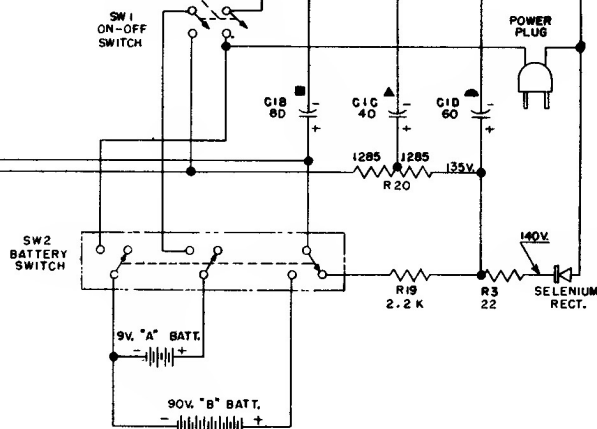
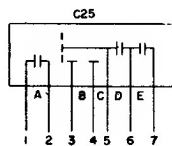
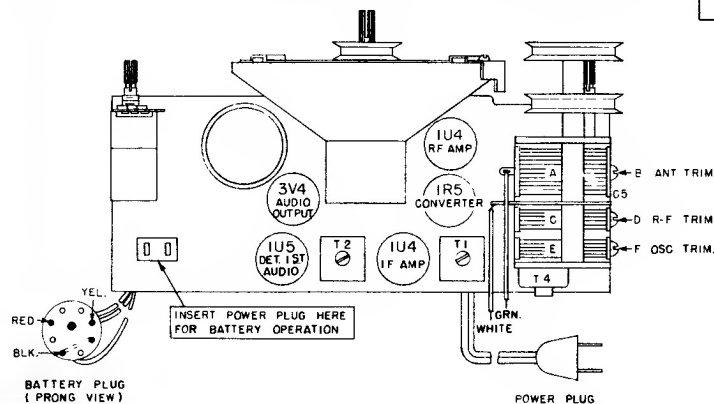


FREQUENCY RANGE 540 to 1615 kc.

INTERMEDIATE FREQUENCY 455 kc.

NOTES:

1. BATTERY SWITCH IS OPERATED BY PLUGGING POWER PLUG INTO SOCKET IN CHASSIS.
2. ALL VOLTAGES MEASURED FROM COMMON NEGATIVE USING A 20,000 OHM/VOLT METER. LINE VOLTAGE SET AT 117 V A C VOLTAGES SHOULD BE AS SHOWN \pm 20 PER CENT.
3. ALL CAPACITANCE VALUES IN MFD AND ALL RESISTANCE VALUES IN OHMS UNLESS OTHERWISE SPECIFIED.



DRIVE MECHANISM