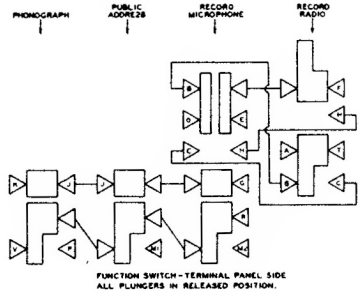
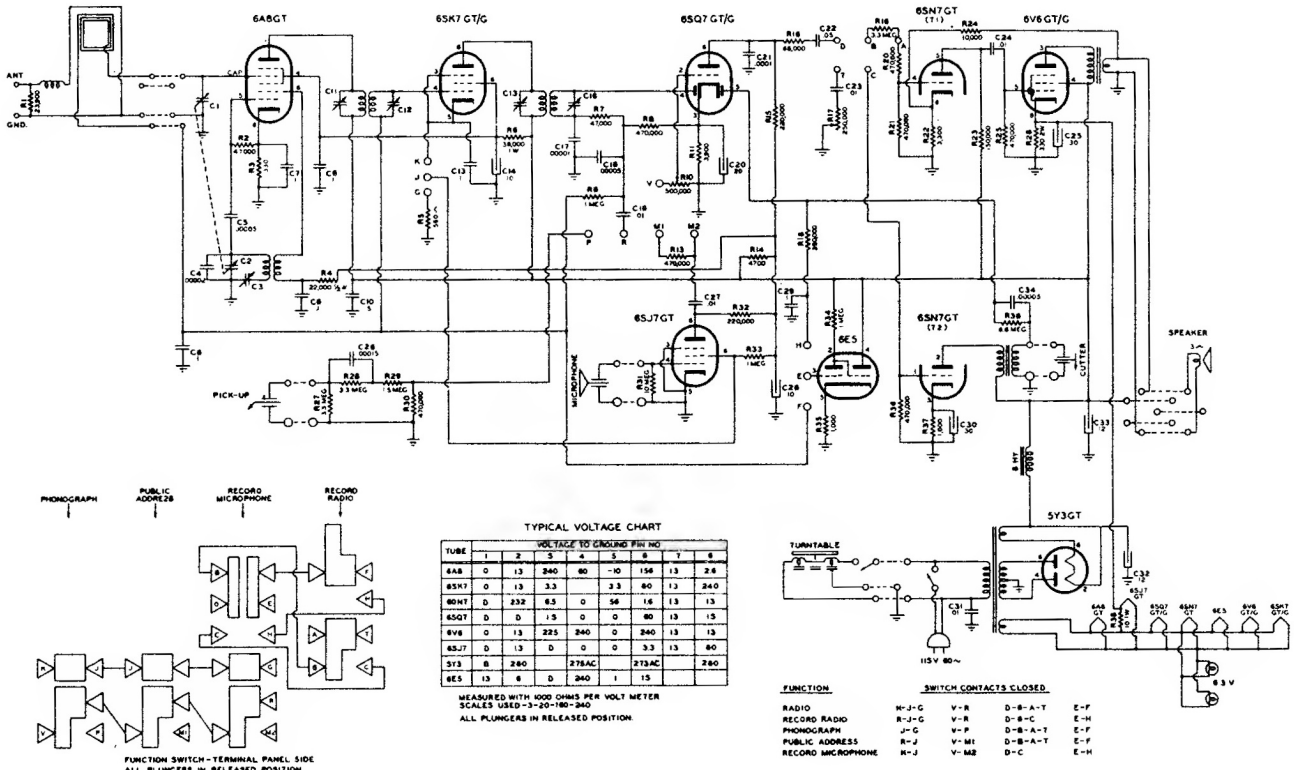


WILCOX GAY CORPORATION - CHARLOTTE, MICHIGAN

Models 6B45B - 6B45M - 6B45W

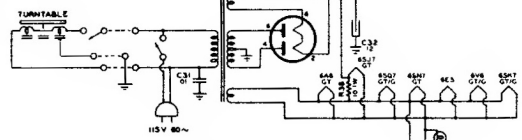


FUNCTION SWITCH - TERMINAL PANEL SIDE
ALL PLUNGERS IN RELEASED POSITION.

TYPICAL VOLTAGE CHART

| TUBE | VOLTAGE TO GROUND (PIV IN) | | | | | | | |
|------|----------------------------|-----|-----|-------|-----|-------|----|-----|
| | 1 | 2 | 3 | 4 | 5 | 6 | 7 | 8 |
| 6AB | 0 | 13 | 240 | 80 | -10 | 156 | 13 | 24 |
| 6SK7 | 0 | 13 | 3.3 | 80 | 3.3 | 80 | 13 | 240 |
| 6SQ7 | D | 232 | 8.5 | 0 | 56 | 16 | 13 | 13 |
| 6V6 | 0 | 13 | 228 | 240 | 0 | 240 | 13 | 13 |
| 6L7 | 0 | 13 | D | 0 | 0 | 3.3 | 13 | 80 |
| 5Y3 | B | 240 | | 275AC | | 275AC | | 240 |
| 6ES | 13 | 8 | D | 240 | 1 | 15 | | |

MEASURED WITH 1000 OHMS PER VOLT METER
SCALES USED - 3-20-180-240
ALL PLUNGERS IN RELEASED POSITION.



- FUNCTION
- RADIO
 - RECORD RADIO
 - PHONOGRAPH
 - PUBLIC ADDRESS
 - RECORD MICROPHONE
- SWITCH CONTACTS CLOSED
- | | | | |
|-------|------|---------|-----|
| N-J-G | V-R | D-B-A-T | E-F |
| R-J-G | V-R | D-B-C | E-H |
| J-C | V-P | D-B-A-T | E-F |
| R-J | V-MI | D-B-A-T | E-F |
| N-J | V-M2 | D-C | E-H |