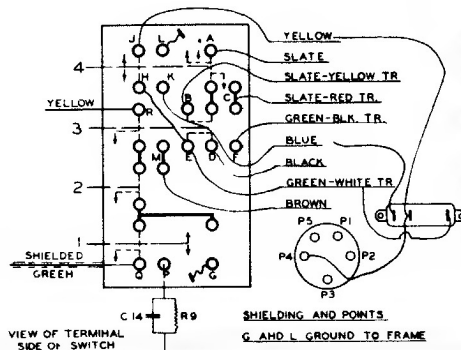
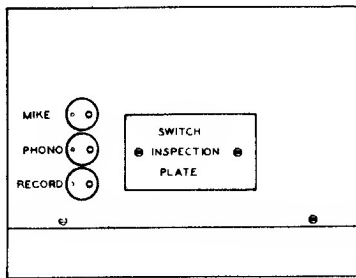
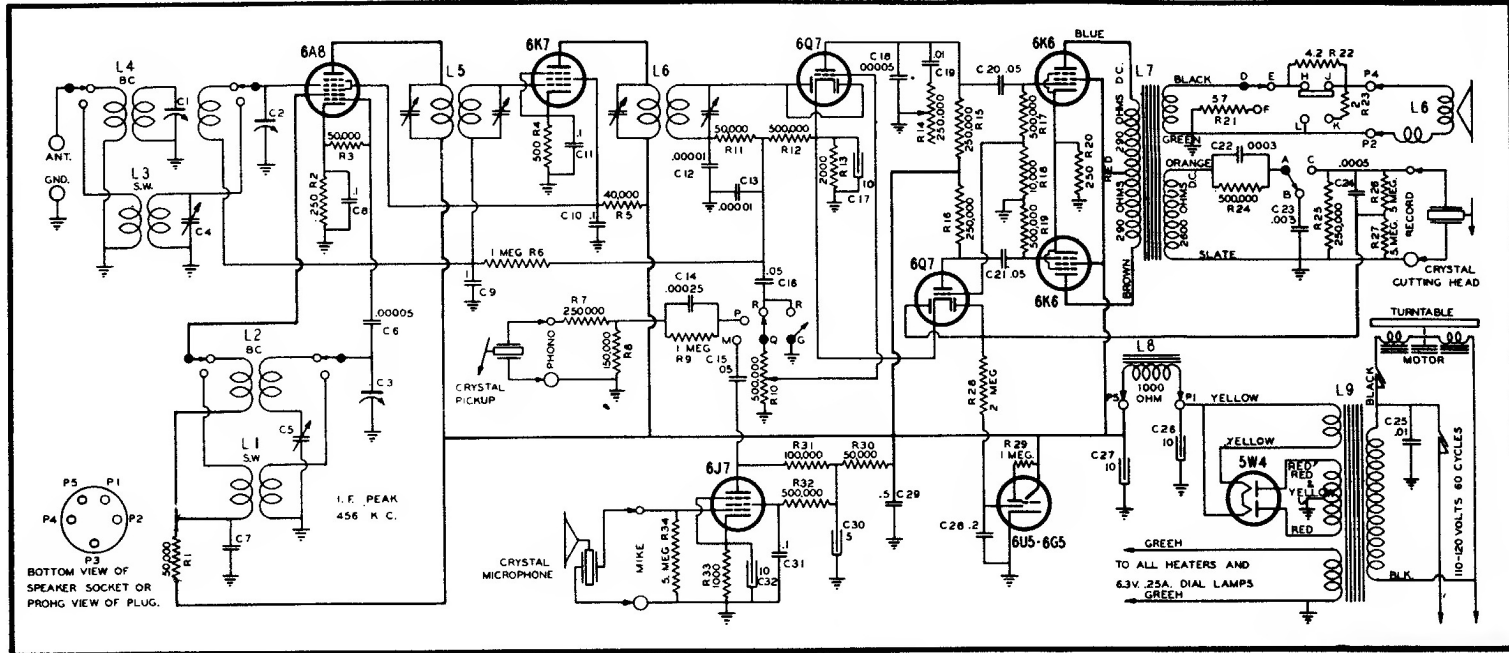


WILCOX-GAY CORPORATION

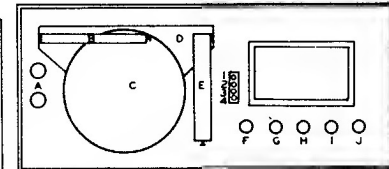
CHASSIS MODEL 9J9

SCHEMATIC DIAGRAM

MODEL A-70



- | | |
|---|---|
| 1 | OPENS Q-R, CLOSES Q-P, R-G |
| 2 | OPENS Q-R, CLOSES Q-M |
| 3 | OPENS Q-R, D-E, A-B
CLOSES Q-M, D-F, A-C |
| 4 | FIRST POS. OPENS A-B, CLOSES A-C
REMAINS CLOSED H-J |
| 4 | SECOND POS. OPENS H-J, CLOSES K-L
REMAINS CLOSED A-C |
- TO USE RADIO ONLY-ALL PLUNGERS UP
CIRCUITS CLOSED Q-R, D-E, A-B, H-J
CIRCUITS OPEN Q-P, D-F, A-C, K-L, Q-M, G-R



- A—HEADLE CUPS B—PHONO ARM ASSEMBLY C—TURN-
TABLE D—MOTOR & ARM PLATE E—CUTTER ARM ASSEMBLY
F—MOTOR CONTROL G—MASTER SWITCH & VOL. CONTROL
H—TONE CONTROL I—BAND SWITCH J—TUNING CONTROL
- 1—TO USE AS PHONOGRAPH
2—TO USE AS PUBLIC ADDRESS
3—TO RECORD MICROPHONE
4—TO RECORD RADIO

I.F. 456 KC.