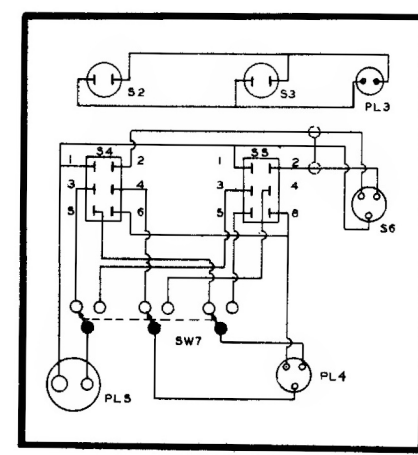
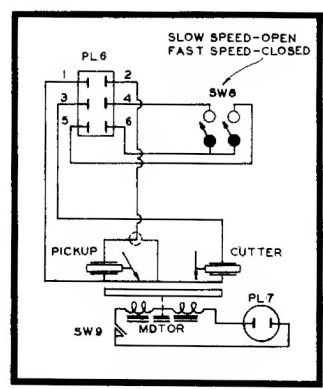


PL1 (A-101 CHASSIS) TO S6 (A-101 PANEL)
 PL2 (A-101 CHASSIS) TO PL3 (A-101 PANEL)
 PL6 (A-102) TO S4 OR S5 (A-101 PANEL)
 PL7 (A-102) TO S2 OR S3 (A-101 PANEL)
 PL4 (A-101 PANEL) TO S1 (A-101 CHASSIS)
 PL5 (A-101 PANEL) TO "CUTTER" SOCKET (A-101 CHASSIS)

PUSH BUTTON CIRCUIT FUNCTIONS	
NDRMAL "UP" POSITION OF PUSH BUTTON SWITCHES INDICATED IN SCHEMATIC DIAGRAM	
1	OPENS Q-R, W-X, CLOSES Q-P, R-G
2	OPENS Q-R, CLOSES Q-M
3	FIRST POS. OPENS A-B, T-S, CLOSES U-R SECDND POS. OPENS Q-R, A-B, D-E, T-S CLOSES Q-M, A-C, D-F
4	FIRST POS. OPENS A-B, T-S, CLOSES A-C SECDND POS. OPENS A-B, T-S, H-J CLOSES A-C, K-L
NOTE - ALL OTHER CONTACT POSITIONS INDICATED IN DIAGRAM	

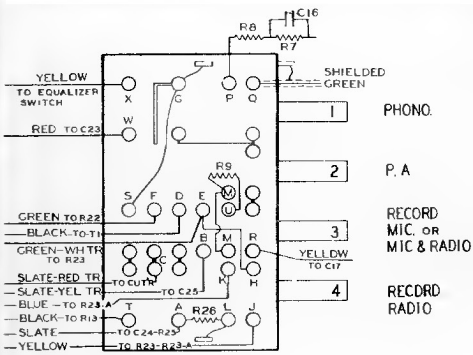


PANEL WIRING - MASTER UNIT
A-101

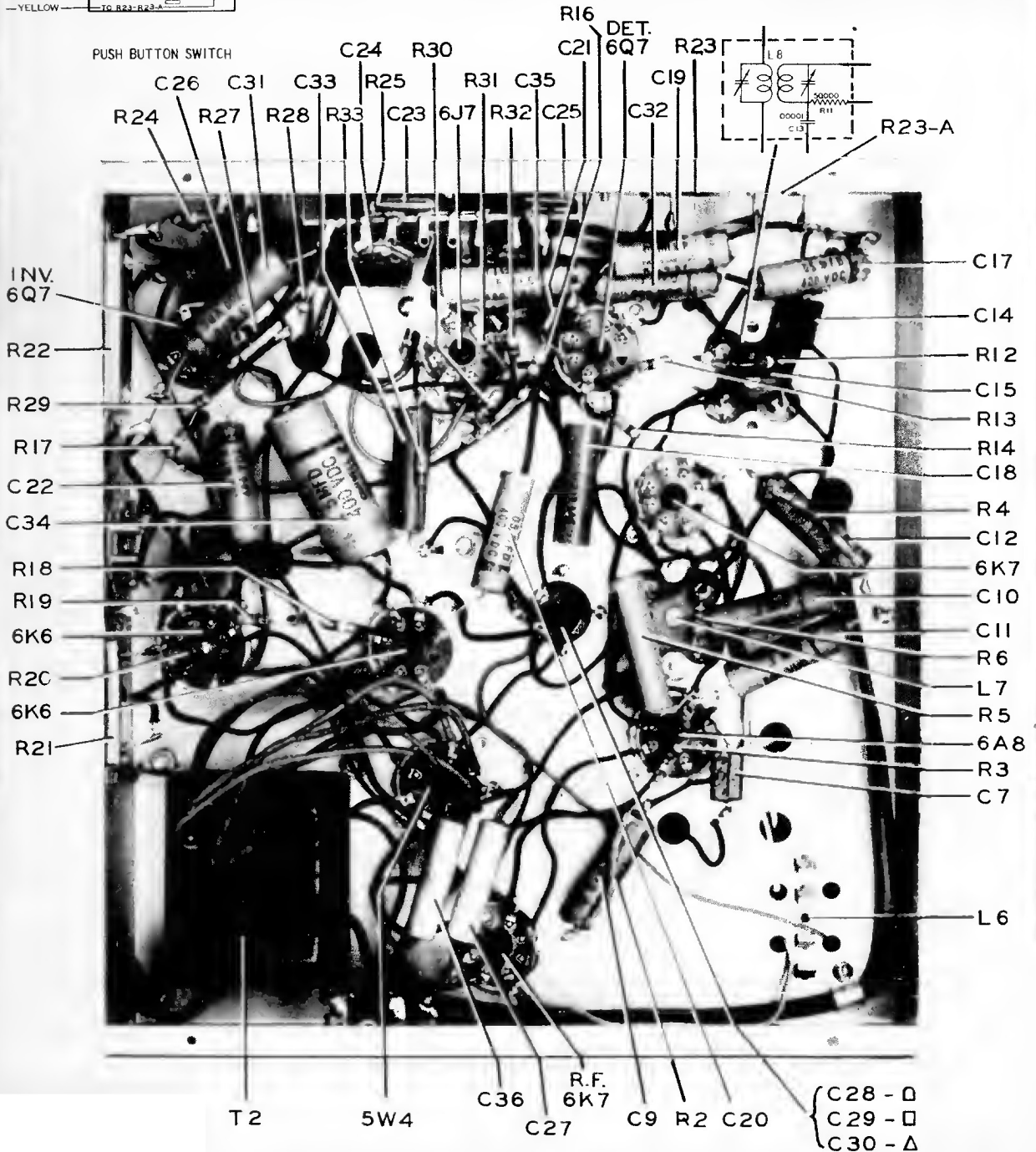


TURNTABLE UNIT
A-102

Wilcox-Gay Corporation
Models A-89, A-91, A-92,
A-93, A-94, A-101, A-102.



MODELS	CIRCUIT	PHONO-PLAYER
A-89	ILLUSTRATED	MANUAL
A-91	"	"
A-92	"	"
A-93	"	AUTOMATIC
A-94	"	"
A-101	SEE WIRING & NOTE A-101	USED WITH A-102
A-102	SEE NOTE A-102	DUAL TURNTABLE ONLY



C28 - □
 C29 - □
 C30 - Δ