

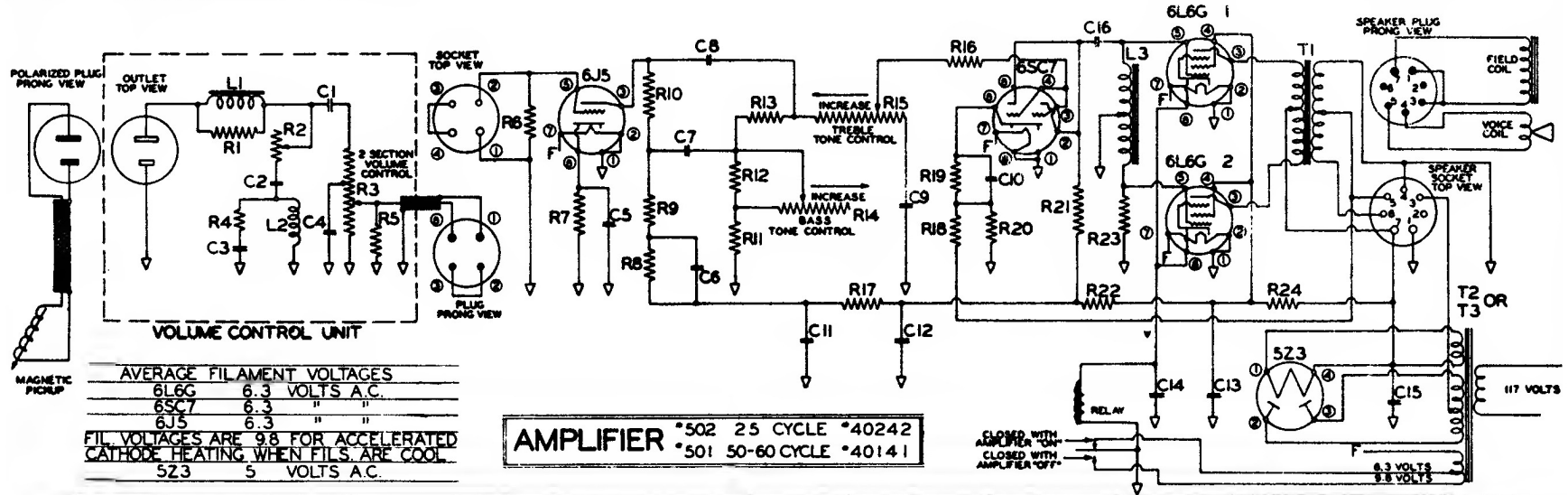
THE RUDOLPH WURLITZER COMPANY

NORTH TONAWANDA, N. Y.

VOLTAGES & CURRENTS OF MODELS 501 & 502 AMPLIFIERS		ALL MEASUREMENTS MADE WITH LINE AT 117 VOLTS 25 OR 60 CYCLE	
AVERAGE PLATE & SCREEN VOLTAGE MEASURED TO CHASSIS		AVERAGE PLATE CURRENT	
AVERAGE VOLTAGE ACROSS CONDENSERS		AVERAGE VOLTAGE ACROSS CONDENSERS	
6L6G PLATE	310 VOLTS D.C.	6L6G	68 MA. D.C.
6L6G SCREEN	315 " "	6SC7	1.8 " "
6SC7 PLATE	170 " "	6J5	.8 " "
6J5 PLATE	70 " "		
		C 15	320 VOLTS D.C.
		C 14	20 " "
		C 13	315 " "
		C 12	290 " "
		C 11	275 " "

SPEAKER FIELD RESISTANCE 5200 OHMS-VOICE COIL 8 OHMS
320 VOLTS D.C. BETWEEN TERMINALS 1 & 7 OF SPEAKER SOCKET

ITEM	VALUE	REMARKS	ITEM	VALUE	REMARKS	ITEM	VALUE	REMARKS	ITEM	VALUE	REMARKS
R 1	40284	36000 OHMS ± 10% 1/2 WATT	R 16	37446	39000 OHMS ± 10% 1/2 WATT	C 1	22545	.03 MFD ± 10% 200 WV.	C 16	.25 MFD	± 10% 400
R 2	40281	5000 " " VOL. CON. REAR PANEL	R 17	21200	10000 " " ± 10% 1/2 " "	C 2	28123	.3 " " ± 10% 120 " "			
R 3	20855	150000 " " ± 10% 1/2 WATT	R 18	40229	5100 " " ± 5% 1/2 " "	C 3	28145	.008 " " ± 10% 600 " "			RELAY
R 4	22529	2000 " " ± 10% 1/2 " "	R 19	40225	9100 " " ± 5% 1/2 " "	C 4	40283	.0035 " " ± 10% 600 " "			130 OHMS S.P.D.T.
R 5	20855	150000 " " ± 10% 1/2 WATT	R 20	40224	130 " " ± 5% 1/2 " "	C 5	36432	.20 " " ± 10% 25 " "			CHOKES
R 6	35924	560000 " " ± 10% 1/2 " "	R 21	36326	56000 " " ± 10% 1/2 " "	C 6	22545	.03 " " ± 10% 200 " "			920 MH COIL
R 7	36324	3300 " " ± 10% 1/2 " "	R 22	37370	8200 " " ± 10% 1/2 " "	C 7	28145	.006 " " ± 10% 600 " "	L 1		475 MH COIL
R 8	22528	220000 " " ± 10% 1/2 " "	R 23	35925	82000 " " ± 10% 1/2 " "	C 8	36440	.00075 " " ± 10% 600 " "	L 2		INPUT CHOKE
R 9	37370	8200 " " ± 10% 1/2 " "	R 24	40223	100 " " ± 10% 1 " "	C 9	36440	.00075 " " ± 10% 600 " "	L 3		
R 10	36441	2600 " " ± 10% 1/2 " "			C 10	36432	.20 " " ± 10% 25 " "			TRANSFORMERS	
R 11	37446	39000 " " ± 10% 1/2 " "			C 11	36469	.20 " " ± 10% 350 " "			T 1	OUTPUT
R 12	28383	1000000 " " ± 10% 1/2 " "			C 12	28383	.20 " " ± 10% 350 " "			T 2	POWER
R 13	40226	33000 " " ± 10% 1/2 " "			C 13	40149	.20 " " ± 10% 400 " "			T 3	50-60 CYCLE POWER
R 14	40607	1000000 " " ± 10% 1/2 TONE CON. BASS			C 14	25 " "	.25 " " ± 10% 400 " "			T 3	25 CYCLE POWER
R 15	40227	250000 " " ± 10% 1/2 TONE CON. TREBLE			C 15	40150	.20 " " ± 10% 400 " "				



AVERAGE FILAMENT VOLTAGES	
6L6G	6.3 VOLTS A.C.
6SC7	6.3 " "
6J5	6.3 " "
5Z3	5 VOLTS A.C.

FIL. VOLTAGES ARE .98 FOR ACCELERATED CATHODE HEATING WHEN FILS. ARE COOL