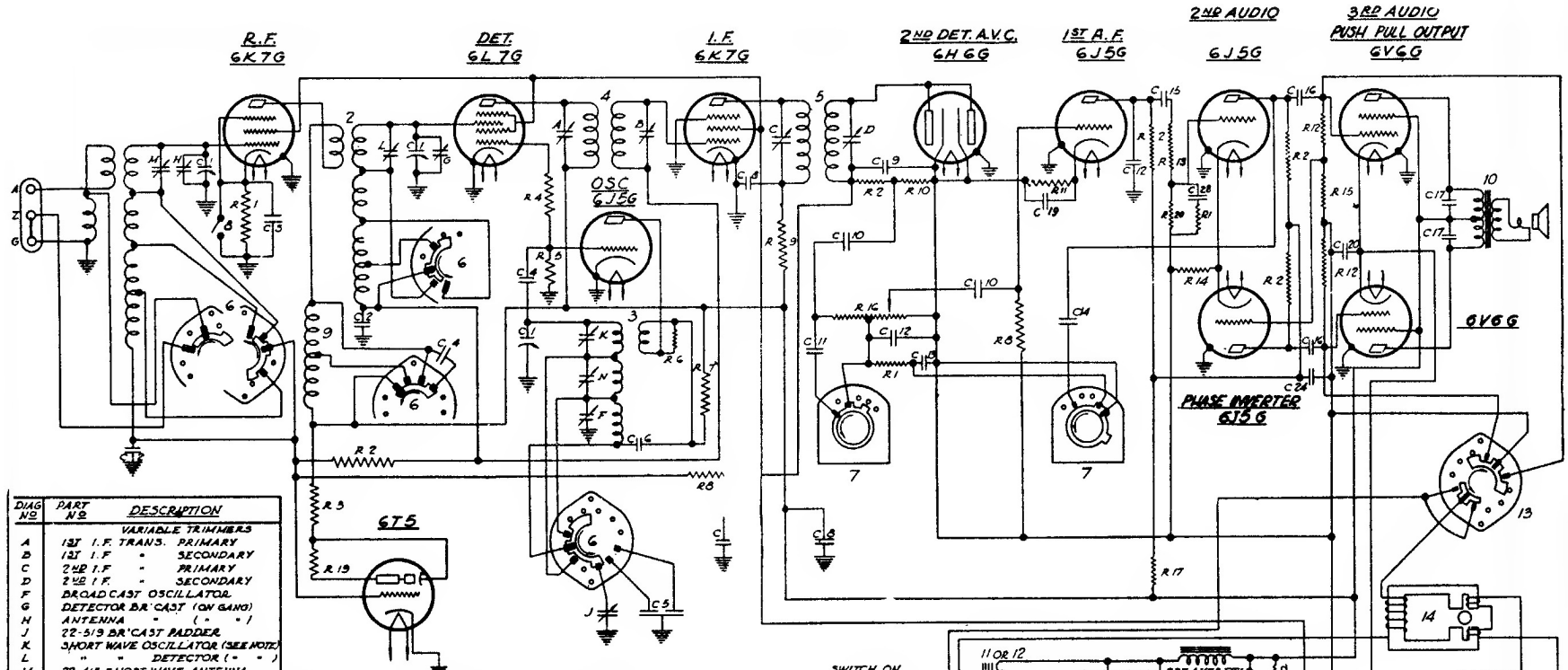
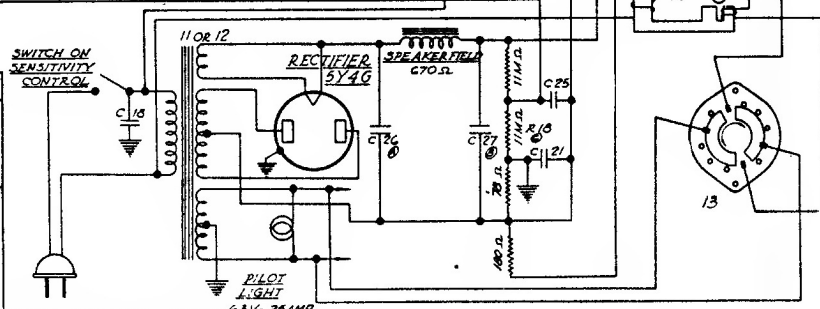


Models 12-S-205, 12-S-232, 12-S-245, 12-S- 265, 12-S-266, 12-S-267, 12-S-268 (1204 Chassis)



DIAG. NO.	PART NO.	DESCRIPTION
VARIABLE TRIMMERS		
A	131	I.F. TRANS. PRIMARY
B	131	I.F. SECONDARY
C	242	I.F. PRIMARY
D	242	I.F. SECONDARY
F	BROAD CAST OSCILLATOR	
G	DETECTOR BR' CAST (ON GANG)	
H	ANTENNA (" ")	
J	22-518 BR'CAST RADDR	
K	SHORT WAVE OSCILLATOR (SEE NOTE)	
L	" " DETECTOR (" ")	
M	22-416 SHORT WAVE ANTENNA	
N	POLICE BAND OSCILLATOR (SEE NOTE)	
NOTE: TRIMMERS F, K, L, N MOUNTED ON BAKELITE STRIP PART # 22-549		
C1	22-548	5 GANG VARIABLE
C2	487	.05 MFD. 400V
C3	240	.05 MFD. 200V
C4	177	.25 MMFD. 600V
C5	556	DUAL FIXED RADDR
C6	356	.002 MFD. 600V
C7	170	.1 MFD. 400V
C8	212	.05 MFD. 400V
C9	162	.0001 MFD. 600V
C10	827	.02 MFD. 200V
C11	182	.0005 MFD. 600V
C12	147	.0005 MFD. 600V
C13	561	.004 MFD. 400V
C14	194	.01 MFD. 600V
C15	435	.02 MFD. 600V
C16	171	.05 MFD. 600V
C17	229	.005 MFD. 600V
C18	525	.005 MFD. 1000V
C19		10 MFD ELECTROLYTIC 25V
C20		25V
C21	572	10 " " " 25V

DIAG. NO.	PART NO.	DESCRIPTION	DIAG. NO.	PART NO.	DESCRIPTION
R1	63-595	47 M. OHM 1/4 W. ± 20%	R17	63-680	10 M OHM 1W ± 20%
R2	585	100 M " 1/2 W. ± 20%	R18	809	4 SECTION CANDIDM 1 MEGOHM MOUNTED IN TUNING TUBE SOCKET
R3	609	22 M " 1/2 W. ± 20%	R19		330 M OHM 1/4 W ± 10%
R4	581	470 " 1/2 W. ± 20%	R20	657	
R5	581	470 " 1/2 W. ± 20%		1	5-5269 ANTENNA COIL & SHIELD ASSEM
R6	645	27 M " 1/2 W. ± 10%		2	5-3266 DET COIL & SHIELD ASSEM
R7	586	3300 " 1/2 W. ± 20%		3	5-3019 OSC COIL & SHIELD ASSEM
R8	682	22 M " 2 W. ± 20%		4	95-41C 131 I.F. TRANS.
R9	271	1 MEG OHM 1/2 W. ± 20%		5	417 2ND I.F. TRANS.
R10	605	1000 OHM 1/2 W. ± 20%		6	65-103 BAND SELECTOR SWITCH
R11	596	330M " 1/2 W. ± 20%		7	65-108 TONE CONTROL
R12	262	220 M " 1/2 W. ± 10%		8	65-109 SENSITIVITY
R13	260	100 M " 1/2 W. ± 10%		9	20-135 S.F. CHOKE
R14	653	150 M " 1/2 W. ± 10%		10	95-421 SPEAKER TRANS.
R15	439	2700 " 1/2 W. ± 10%		11	95-455 " " ALL VOLTAGE
R16	639	6800 " 1/2 W. ± 10%		12	12-262 25 CYCLE
R17	568	2 MEG OHM VOL VOLUME CONTROL		13	85-170 MOTOR CONTROL SWITCH
R18				14	14-51 MOTOR



MODEL	SPKR PART NO.	SIZE
12-S-205	49-185	12
12-S-232	49-189	6
12-S-245	49-184	12
12-S-265	49-185	12
12-S-262	49-185	12
12-S-267	49-185	12
12-S-268	49-185	12

I.F. FREQUENCY 456 K.C.
12 TUBE SUPERHETERODYNE
3 BAND
CHASSIS NO. 1204
ZENITH RADIO CORP.