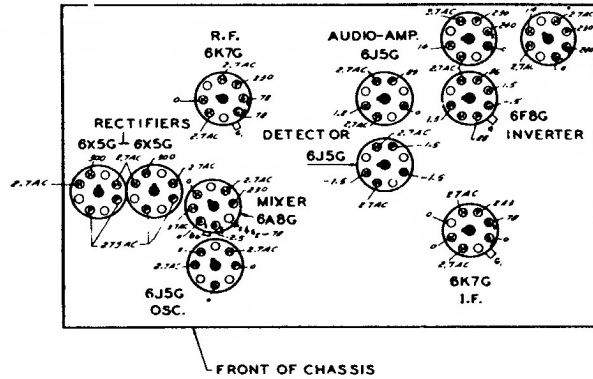


ZENITH RADIO CORPORATION

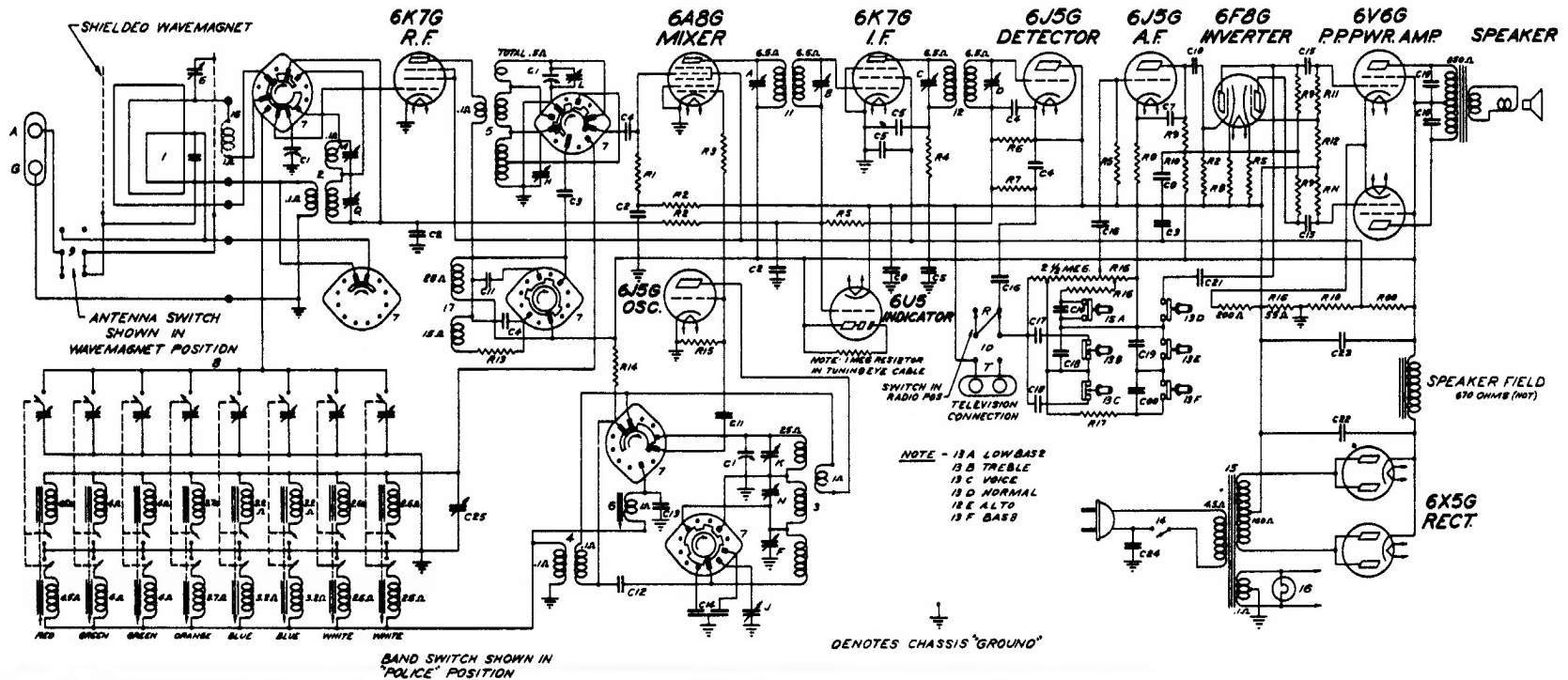
Models 12S445—12S453—12S471—12S475—12S494

CHASSIS No. 1207

PUSH-PULL PWR. AMP.  
6V6G — 6V6G



QMT NO.	PART NO.	DESCRIPTION	QMT NO.	PART NO.	DESCRIPTION	QMT NO.	PART NO.	DESCRIPTION	QMT NO.	PART NO.	DESCRIPTION
C1	22-85	THREE GANGE VARIABLE	C24	22-930	02 MFD	R19	63-676	27M OHM	1W		
C2	22-824	05 MFD	C25		TRIMMER COND. (SEE NOTE)	R20	63-659	22M OHM	2W		
C3	22-888	50 MFD								A	181 I.F. TRANS. PRI
C4	22-156	050 MFD								B	182 I.F. SEC
C5	22-828	05 MFD								C	183 I.F. - PRI
C6	22-807	1 MFD								D	184 I.F. - SEC
C7	22-864	0005 MFD	R1	63-597	470M OHM	1W	1	57728	WHIMAGNET ASSEMBLY	E	BROADCAST OSC. (SEE NOTE)
C8	22-88	18 MFD ELECTROLYTIC	R2	63-521	100M OHM	1W	2	57668	OSC. COUPLER COIL ASSEMBLY	F	ANTENNA BROADCAST
C9	22-826	10 MFD	R3	63-509	470 OHM	1W	3	57668	OSC. COUPLER COIL ASSEMBLY	G	DETECTOR BROADCAST
C10	22-826	005 MFD	R4	63-805	1000 OHM	1W	4	57658	DETECTOR COIL ASSEMBLY	H	SHORT WAVE OSC. (SEE NOTE)
C11	22-127	25 MFD	R5	63-271	1M5 OHM	1W	5	57658	TRIMMER COIL ASSEMBLY	I	SHORT WAVE DET. (ON BAND)
C12	22-398	500 MFD	R6	63-655	220M OHM	1W	6	65-205	BAND SELECTOR SWITCH	L	SHORT WAVE ANTENNA
C13	22-384	COMPENSATING COND.	R7	63-631	25M OHM	1W	7	37801	AUTOMATIC TUNING UNIT	M	POLICE BAND ANTENNA
C14	22-830	DUAL OSC. PADDER	R8	63-222	2200 OHM	1W	8	35-171	WHIMAGNET SWITCH	N	BROADCAST PADDER
C15	22-171	05 MFD	R9	63-646	27M OHM	1W	9	35-692	I.F. TRANSFORMER	O	
C16	22-377	10 MFD	R10	63-657	330M OHM	1W	10	35-538	I.F. TRANSFORMER	P	
C17	22-826	0015 MFD	R11	63-571	22M OHM	1W	11	5770	TONE CONTROL SW. ASSEMB.	Q	
C18	22-470	600 MFD	R12	63-594	3300 OHM	1W	12	65-162	A.C. SWITCH	R	
C19	22-640	650 MFD	R13	63-1045	15M OHM	1W	13	35-639	PANHER TRANS. 80A, 117V.	S	
C20	22-435	002 MFD	R14	63-593	47M OHM	1W	14	38-36	FLUO-LUMIN. 8.3V. 25A	T	
C21	22-156	01 MFD	R15	65-1078	VOLUME CONTROL	1W	15	22-316	PLATE CHOKI COIL	U	
C22	22-930	20 MFD ELECTROLYTIC	R16	63-536	68M OHM	1W	16	58111	LOOP LOADING COIL ASSEMB.	V	
C23		20 MFD ELECTROLYTIC	R17	63-1052	2 SECTION CAND OHM	1W	17				
			R18	63-1052	2 SECTION CAND OHM	1W	18				



NOTE - 13 A LOW BASS  
13 B TREBLE  
13 C VOICE  
13 D NORMAL  
13 E ALTO  
13 F BASS

⊥ DENOTES CHASSIS "GROUND"

SPEAKER FIELD  
870 OHMS (NOT)

6X5G  
RECT.