

50TTDM VIEW OF TUBE SOCKETS.

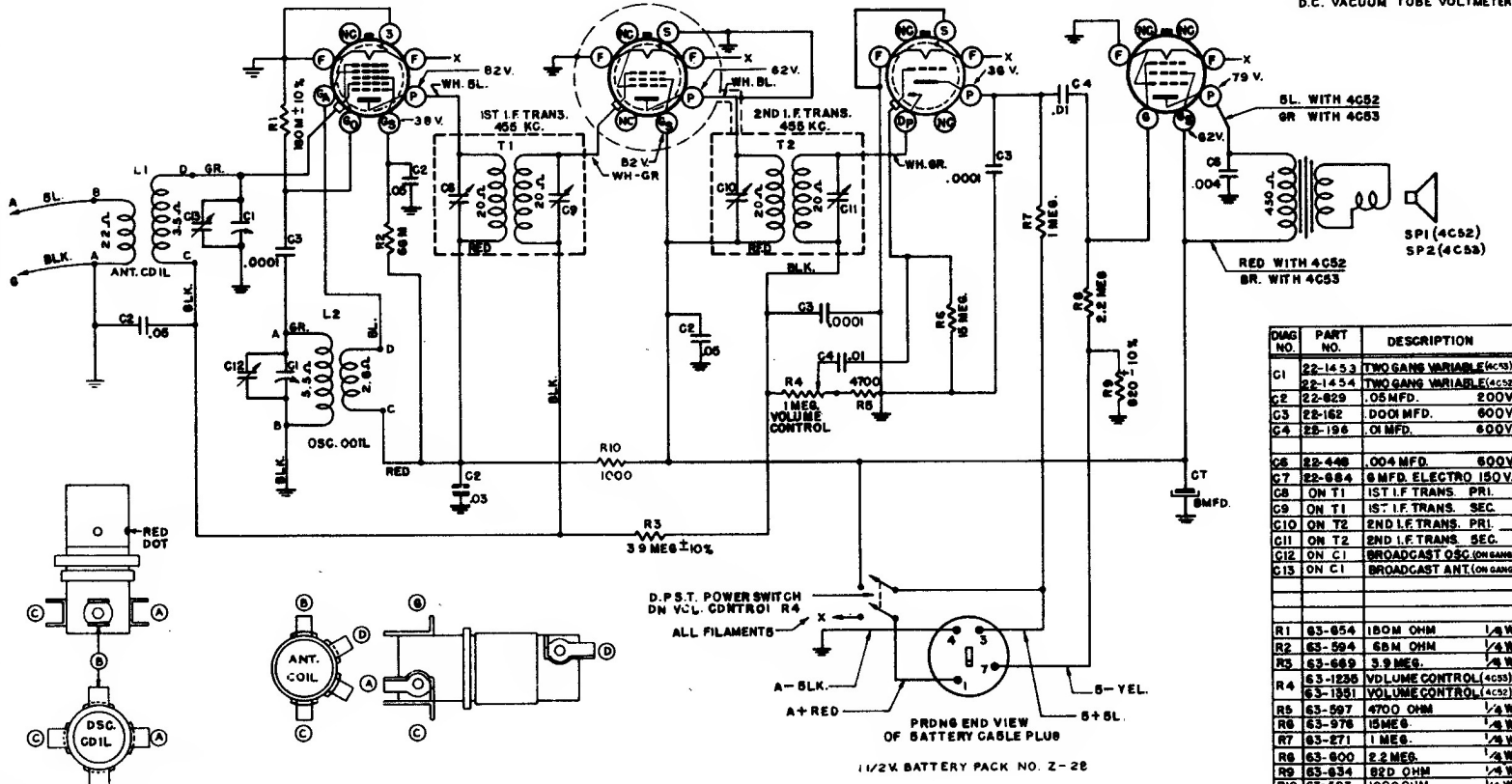
**1A7GT CONVERTER**

**1N5GT I.F.**

**1H5GT DET.-AMP.**

**1C5GT P'WR. AMP.**

ALL VOLTAGES MEASURED FROM COMMON RETURN TO POINTS INDICATED WITH A D.C. VACUUM TUBE VOLTMETER



DIAG. NO.	PART NO.	DESCRIPTION
C1	22-1453	TWO GANG VARIABLE (4C53)
	22-1454	TWO GANG VARIABLE (4C52)
C2	22-829	.05 MFD. 200V.
C3	22-162	.001 MFD. 600V.
C4	22-196	.01 MFD. 600V.
C6	22-448	.004 MFD. 600V.
C7	22-684	8 MFD. ELECTRO 150V.
C8	ON T1	1ST I.F. TRANS. PRI.
C9	ON T1	1ST I.F. TRANS. SEC.
C10	ON T2	2ND I.F. TRANS. PRI.
C11	ON T2	2ND I.F. TRANS. SEC.
C12	ON C1	BROADCAST OSC. (ON SAME)
C13	ON C1	BROADCAST ANT. (ON SAME)
R1	63-654	180M OHM 1/4 W.
R2	63-594	65M OHM 1/4 W.
R3	63-669	3.9 MEG. 1/4 W.
R4	63-1236	VOLUME CONTROL (4C53)
	63-1251	VOLUME CONTROL (4C52)
R5	63-597	4700 OHM 1/4 W.
R6	63-978	15 MEG. 1/4 W.
R7	63-271	1 MEG. 1/4 W.
R8	63-800	2.2 MEG. 1/4 W.
R9	63-634	820 OHM 1/4 W.
R10	63-583	1000 OHM 1/4 W.
L1	312024	ANTENNA COIL
L2	312014	OSC. COIL A55Y
T1	95-814	1ST I.F. TRANSFORMER
T2	95-839	2ND I.F. TRANSFORMER
SP1	49-319	5" SPEAKER (WITH 4C52)
SP2	49-450	6 1/2" SPEAKER (WITH 4C53)

ALL RESISTORS ± 20% TOLERANCE UNLESS OTHERWISE SPECIFIED

⊥ DENOTES CHASSIS



**MODELS 4K016-4K035**  
**CHASSIS Nos. 4C52-4C53**

I.F. FREQUENCY 455 KC.  
TUNING RANGE 535-1620 KC.

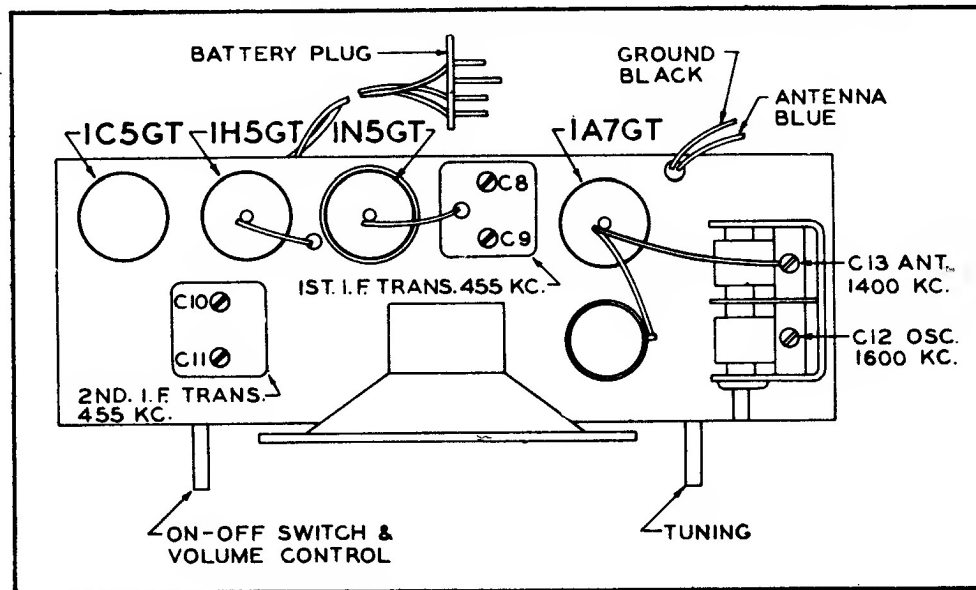
**MODELS 4K016-4K035**  
**CHASSIS Nos. 4C52-4C53**

Zenith Radio Corp.

The alignment of this chassis is conventional.

A 4700 ohm resistor R5 between the low end of the volume control and ground allows some audio output with normal signal input when the volume control is in counter clockwise positions. This is the Guardian Reminder circuit.

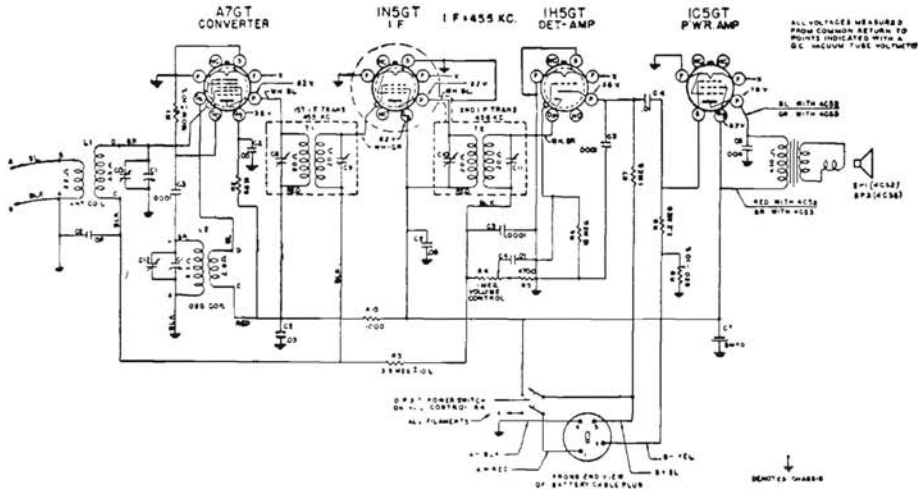
If the audio output is objectionably high (with the volume control in counter clockwise position) resistor R5 may be reduced in value to 2500 ohms or removed from the circuit and the low end of the control grounded.



**TUBE AND TRIMMER LOCATION**

**ALIGNMENT PROCEDURE**

OPERATION	CONNECT OSCILLATOR TO	DUMMY ANTENNA	INPUT SIG. FREQUENCY	SET DIAL AT	TRIMMERS	PURPOSE
1	Converter Grid	.5 Mfd.	455 Kc	600 Kc.	C-8,C-9, C-10,C-11	Align I. F.
2	Antenna and Ground	200 mmfd.	1600 Kc.	1600 Kc.	C-12	Set Oscillator to Dial Scale.
3	Antenna and Ground	200 mmfd.	1400 Kc.	1400 Kc.	C-13	Align antenna stage.



## ZENITH MODD. 4K016 - 4K035

Portatile a pile con valvole GT.