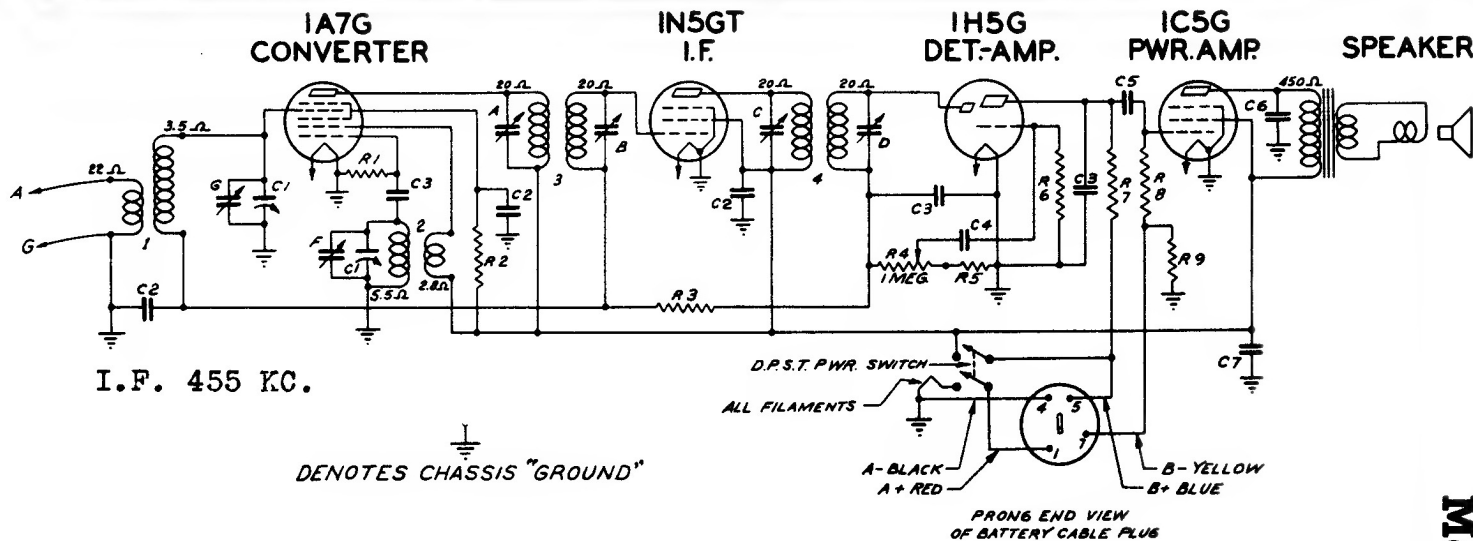


ZENITH RADIO CORPORATION

CHICAGO • ILLINOIS

Models 4K616-4K635-4K658

Chassis No. 4B02-4B03



DIAG. NO.	PART NO.	DESCRIPTION	DIAG. NO.	PART NO.	DESCRIPTION	DIAG. NO.	PART NO.	DESCRIPTION
C1	22-1209	TWO GANG VARIABLE -4B03	R4	63-1235	VOLUME CONTROL-4B03			
	22-1213	TWO GANG VARIABLE -4B02		63-1240	VOLUME CONTROL-4B02			
C2	22-829	.05 MFD.	R5	63-587	4700 OHM			
C3	22-182	.0001 MFD.	R6	63-976	15 MEGOHM			
C4	22-826	.01 MFD.	R7	63-271	1 MEGOHM			
C5	22-243	.01 MFD.	R8	63-600	2.2 MEGOHM			
C6	22-448	.004 MFD.	R9	63-634	820 OHM			
C7	22-684	8 MFD. ELECTROLYTIC 150V.						
R1	63-654	180 M OHM	1	20-237	ANTENNA COIL	A		1 ST I.F. TRANS. PRI.
R2	63-594	68 M OHM	2	59584	OSC. COIL ASSEMBLY	B		1 ST I.F. - SEC.
R3	63-669	3.9 MEGOHM	3	95-814	1 ST I.F. TRANSFORMER	C		2 ND I.F. - PRI.
			4	95-815	2 ND I.F. TRANSFORMER	D		2 ND I.F. - SEC.
						E		BROADCAST OSC. (ON GANG)
						F		BROADCAST ANT.(ON GANG)
						G		

CHASSIS MODEL SPEAKER
 4B02 4K616 49-449 5"
 4B03 4K635 49-450 6"
 4B03 4K658 49-461 8"

BATTERY PACK No Z-28

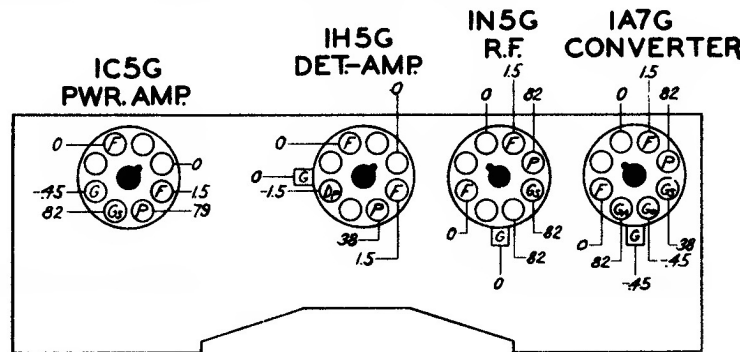
All voltages measured with a 1000 ohm per volt meter from chassis to socket contact indicated.

All voltages are positive D.C. unless marked otherwise.

Volume control on full.
 Battery Z28

Power consumption—1.3 watts.
 Power output—.28 watts.

Tuning Range—540 Kc.—1740 Kc.



SOCKET VOLTAGES—BOTTOM VIEW