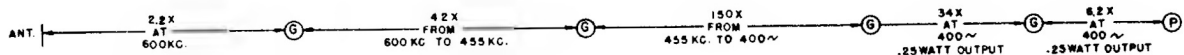




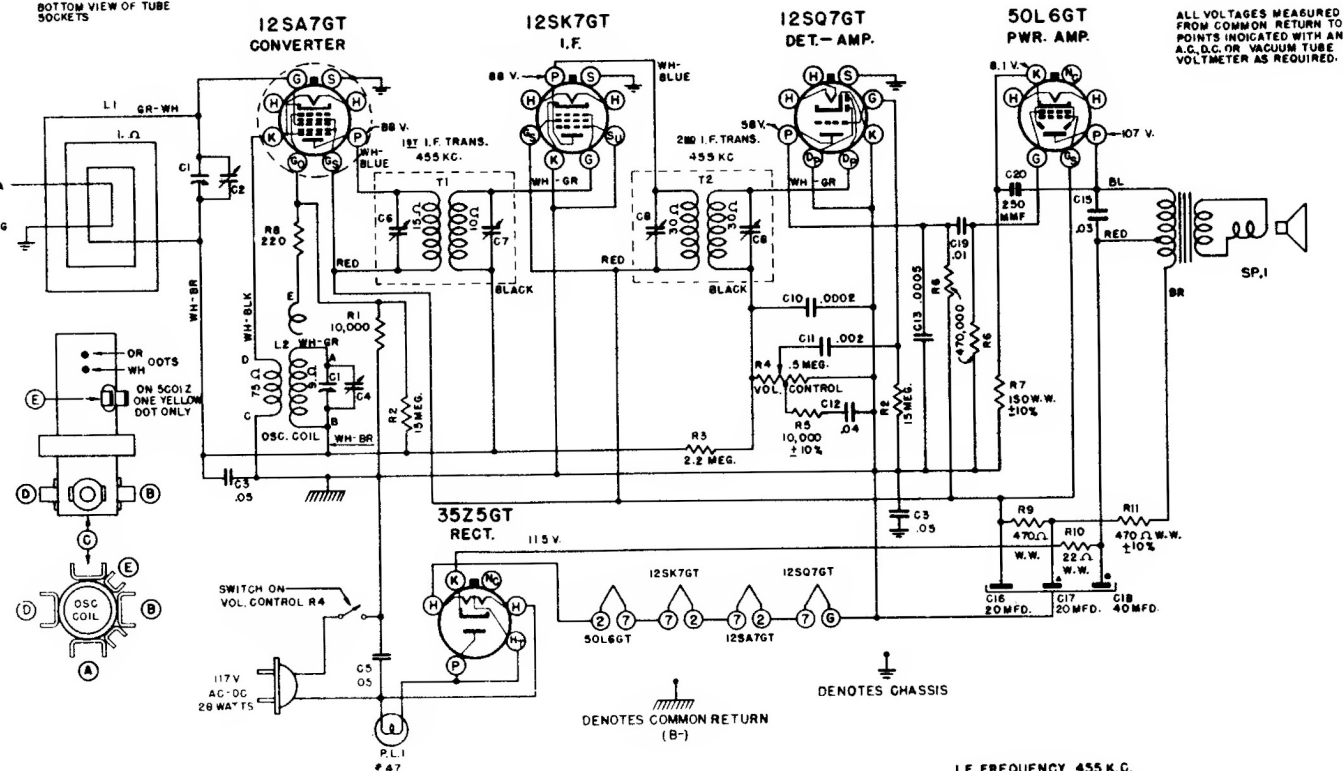
# MODELS 5D011-5D027 CHASSIS No. 5C01



BOTTOM VIEW OF TUBE SOCKETS

DIAG. NO.	PART NO.	DESCRIPTION ON 5C01 PARTS
C1	22-1556	2-GANG VARIABLE *
C2	ON C1	BROADCAST ANT. TRIMMER
C3	22-829	.05 MFD. 250V.
C4	ON C1	BROADCAST OSC. TRIMMER
C5	22-1017	.05 MFD. 200 V.
C6	ON T1	I.F. TRANS. PR. TRIMMER
C7	ON T1	I.F. SEC.
C8	ON T2	I.F. PRI.
C9	ON T2	I.F. SEC.
C10	22-553	.0002 MFD. 600V.
C11	22-492	.002 MFD. 600V.
C12	22-1202	.04 MFD. 250V.
C13	22-854	.0005 MFD. 600V.
C14	22-243	.01 MFD. 400V.
C15	22-1049	.05 MFD. 400V.
C16		.20 MFD. ELECTRO. 150 V.
C17	22-1519	.20 MFD. 150 V.
C18		.40 MFD. 150 V.
C19	22-196	.01 MFD. 600V.
C20	22-182	.00025 MFD. 600V.
R1	65-589	10M OHM 1/4 W.
R2	63-976	15 MEG OHM 1/4 W.
R3	65-600	2.2 MEG OHM 1/4 W.
R4	65-1557	5 MEG. VOLUME CONTROL
R5	63-641	10M OHM 1/4 W.
R6	63-597	470M OHM 1/4 W.
R7	65-686	150 OHM WIREWOUND 1/2 W.
R8	63-578	220 OHM 1/4 W.
R9	65-1449	470 OHM WIREWOUND 1 W.
R10	63-450	22 OHM 1 W.
R11	63-1222	470 OHM 1 W.
L1	15-1099	WAVE MAGNET ASSEMBLY
L2	15-1156	OSC. COIL
T1	95-905	I.F. TRANS.
T2	95-906	2ND I.F. TRANS.
P.L.1	100-67	PILOT LIGHT 6.5V. 15A.
SP.1	49-547	4" P.M. SPEAKER

SEE NOTE



ALL VOLTAGES MEASURED FROM COMMON RETURN TO POINTS INDICATED WITH AN A.C.D.C. OR VACUUM-TUBE VOLTMETER AS REQUIRED.

NOTE: ON 5C01Z ALL PARTS MARKED WITH \* CHANGE TO THE FOLLOWING

C1	22-1516	2 GANG VARIABLE
L1	15-1246	WAVE MAGNET ASS'Y
L2	15-1249	OSC. COIL
L3	26-364	DIAL SCALE

ALL RESISTORS ±20% TOLERANCE UNLESS OTHERWISE SPECIFIED.

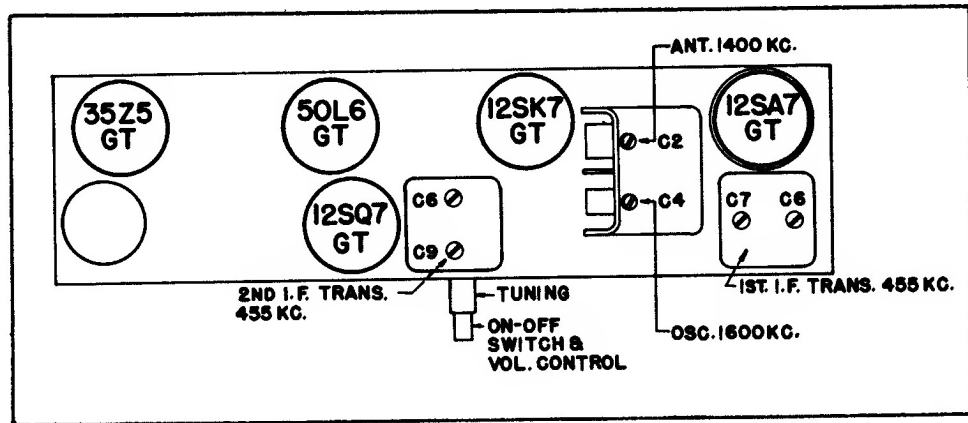
I.F. FREQUENCY 455 K.C.  
TUNING RANGE 535-1620 K.C.

### ALIGNMENT PROCEDURE

OPERATION	CONNECT OSCILLATOR TO	DUMMY ANTENNA	INPUT SIG. FREQUENCY	SET DIAL AT	TRIMMERS	PURPOSE
1	Converter Grid	.5 Mfd.	455 Kc.	600 Kc.	C-6, C-7, C-8, C-9	Align I. F.
2	One turn loop Coupled loosely to wave magnet	--	1600 Kc.	1600 Kc.	C-4	Set Oscillator to Dial Scale.
3	"	--	1400 Kc.	1400 Kc.	C-2	Align Antenna Stage

# ZENITH

**MODELS 5D011-5D027**  
**CHASSIS No. 5C01**



TUBE AND TRIMMER LOCATION

