

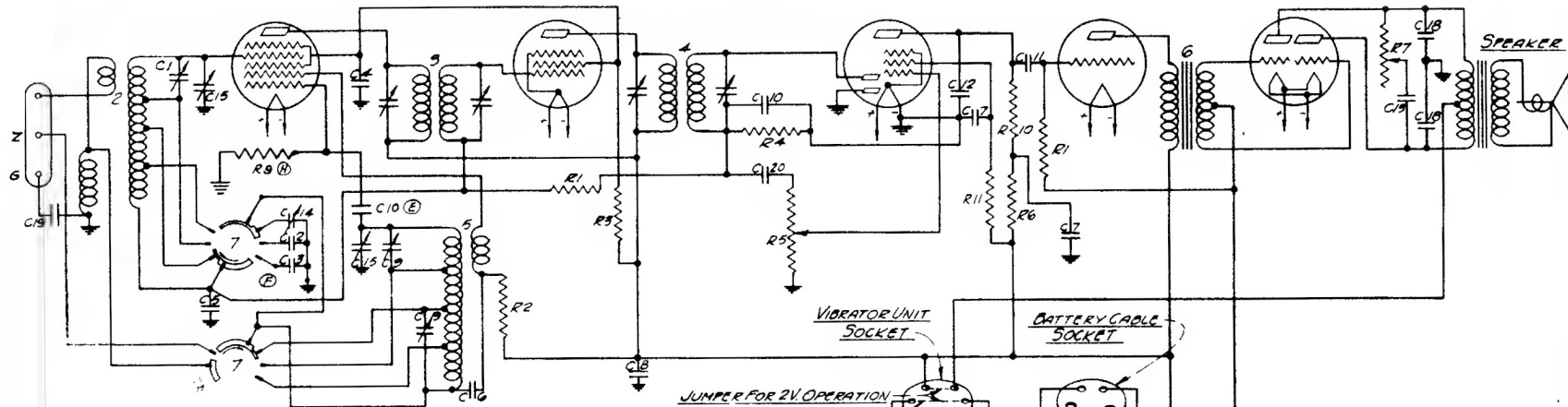
DETECTOR-OSCILLATOR
1C7

1.F. TUBE
1D5

2ND DETECTOR-A.V.C.
1F7

DRIVER TUBE
1H4

POWER TUBE
1V9



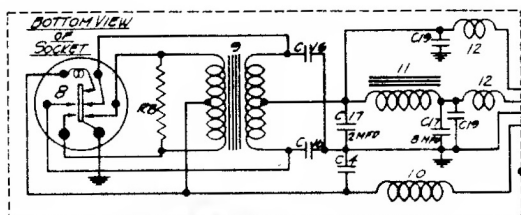
JUMPER FOR 2V OPERATION

RESISTOR PLUG FOR 2V AIR CELL OPERATION
BALLAST TUBE FOR 3V DRY CELL OPERATION

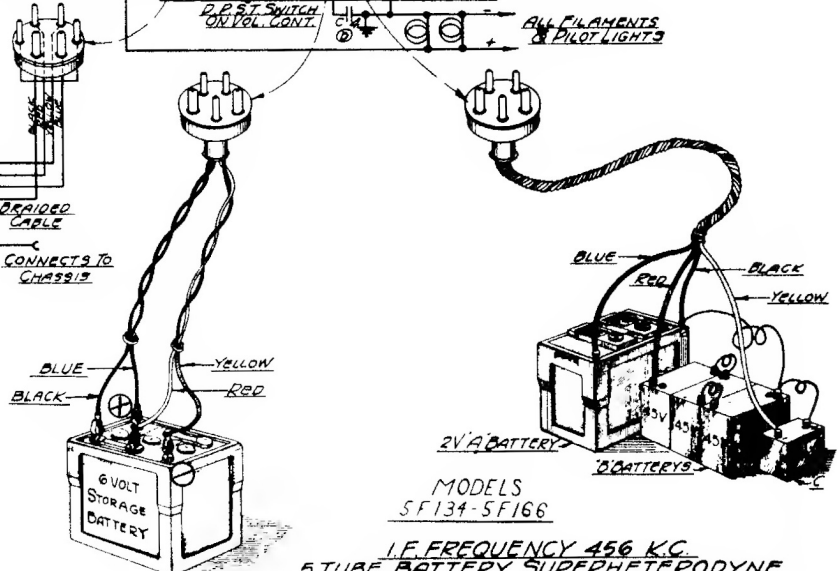
D.P.S.T. SWITCH ON VOL. CONT.

ALL FILAMENTS & PILOT LIGHTS

QTY	PART	DESCRIPTION
C1	235	2-35 MFD PAPER
C2	284	.0015 MFD
C3	485	.005 MFD
C4	199	.5 MFD
C5	487	.05 MFD
C6	486	.0018 MFD
C7	250	.05 MFD
C8	212	.05 MFD
C9	408	2-95 MFD TRIMMER
C10	285	50 MFD
C11	183	.02 MFD
C12	182	.0025 MFD
C13	171	.05 MFD
C14	205	200-550 MFD PAPER
C15	488	2 GANG VARIABLE COND
C16	455	.01 MFD
C17	522	25.5 MFD DRY ELEC.
C18	492	.002 MFD
C19	243	.01 MFD (TUBULAR)
C20	327	.02 MFD (TUBULAR)



VIBRATOR SUPPLY UNIT



2V BATTERY

MODELS
5F134-5F166

1.F. FREQUENCY 456 KC.
5 TUBE BATTERY SUPERHETERODYNE
CHASSIS NO 5518

ZENITH RADIO CORPORATION

R1	293	990 OHMS	1/4 W
R2	56	5 OHMS	1/4 W
R3	579	40 OHMS	1/4 W
R4	481	400 OHMS	1/4 W
R5	541	1 MEG OHM VOL CONT	5 W
R6	278	99 OHMS	1/4 W
R7	521	50 OHM TONE CONT	200 Ω
R8	584	200 OHMS	1/4 W
R9	399	75 OHMS	1/4 W
R10	400	250 OHMS	1/4 W
R11	441	1 MEG OHM	1/4 W

QTY	PART	DESCRIPTION
2	5-4735	ANTENNA COIL 195M
3	95-350	1ST I.F. TRANSFORMER
4	95-359	2ND I.F. TRANSFORMER
5	5-4069	OSCILLATOR COIL 195M
6	95-382	1000 TRANSFORMER
7	05-89	GRID SELECTOR SWITCH
8	140-5	VIBRATOR
9	95-201	POWER TRANSFORMER
10	52778	R.F. CHOKE
11	95-345	FILTER CHOKE
12	20-145	R.F. CHOKE

SPEAKER MODEL

49-102-Q2PM 5F-134
49-104-Q2PM 5F-166