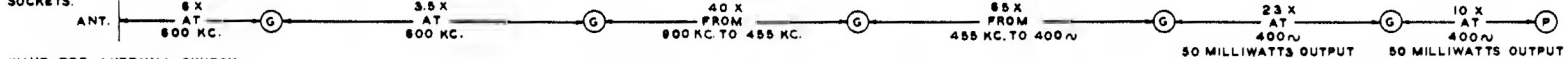
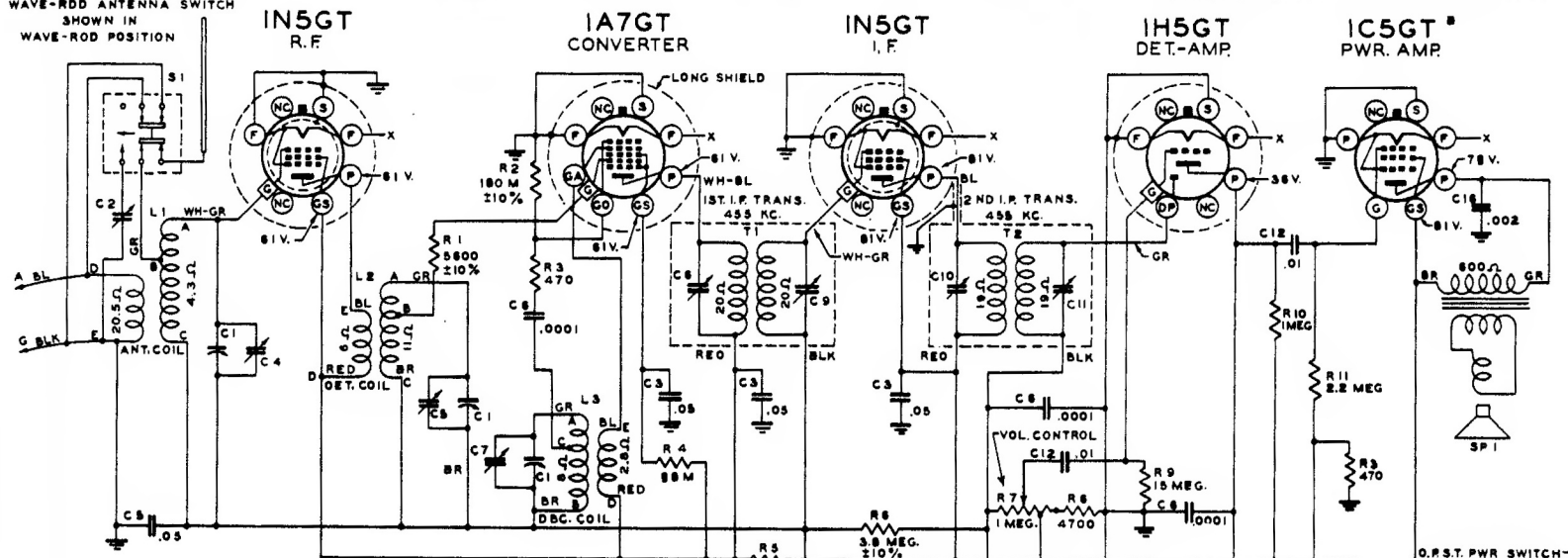


BOTTOM VIEW OF TUBE SOCKETS.



WAVE-RDD ANTENNA SWITCH SHOWN IN WAVE-ROD POSITION



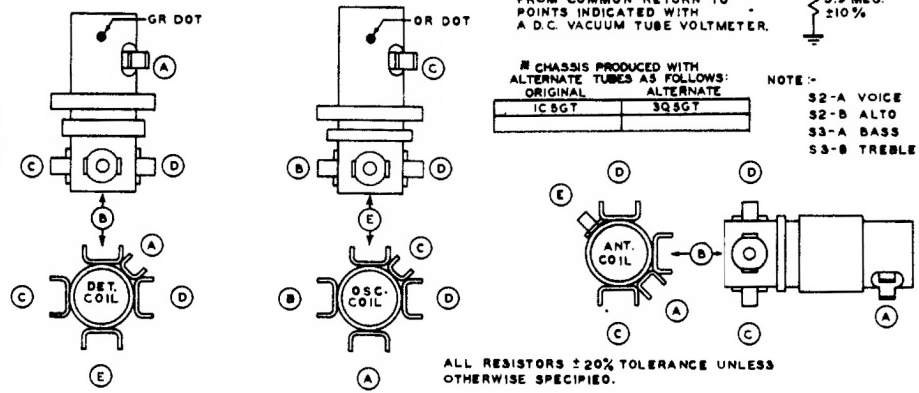
ALL VOLTAGES MEASURED FROM COMMON RETURN TO POINTS INDICATED WITH A D.C. VACUUM TUBE VOLTMETER.

IF CHASSIS PRODUCED WITH ALTERNATE TUBES AS FOLLOWS:

ORIGINAL	ALTERNATE
1C5GT	3Q3GT

NOTE:

S2-A VOICE
S2-B ALTO
S3-A BASS
S3-B TREBLE



ALL RESISTORS ±20% TOLERANCE UNLESS OTHERWISE SPECIFIED.

MODEL 5K037
CHASSIS No. 5C50

I.F. FREQUENCY 455 KC.
TUNING RANGE 535-1820 KC.

DIAG. NO.	PART NO.	DESCRIPTION
C1	22-1358	3 GANG VARIABLE
C2	22-1421	ANTENNA TRIMMER
C3	22-629	.03 MFD. 200 V.
C4	ON C1	BROADCAST ANT. TRIM.
C5	ON C1	BROADCAST DET. TRIM.
C6	22-192	.0001 MFD. 600V.
C7	ON C1	BROADCAST OSC. TRIM.
C8	ON T1	1ST. I.F. TRANS. PRI. TRIM.
C9	ON T1	1ST. I.F. SEC. "
C10	ON T2	2ND. I.F. PRI. "
C11	ON T2	2ND. I.F. SEC. "
C12	22-188	.01 MFD. 600V.
C13	22-884	8 MFD. ELECTRO 150V.
C14	22-887	.001 MFD. 600V.
C15	22-448	.004 MFD. 600V.
C16	22-492	.002 MFD. 600V.
C17	22-162	.00025 MFD. 600V.

R1	63-658	5600 OHM	1/4 W
R2	63-654	180 M OHM	1/4 W
R3	63-561	470 OHM	1/4 W
R4	63-594	68 M OHM	1/4 W
R5	63-634	620 OHM	1/4 W
R6	63-689	3.8 MEGOHM	1/4 W
R7	63-1236	1 MEG. VOLUME CONT.	
R8	63-587	4700 OHM	1/4 W
R9	63-976	15 MEGOHM	1/4 W
R10	63-271	1 MEGOHM	1/4 W
R11	63-600	2.2 MEGOHM	1/4 W

L1	51173	ANTENNA COIL 358M.
L2	30870	DETECTOR "
L3	38748	OSCILLATOR "
S1	88-308	WAVE-ROD ANT. SWITCH
S2	85-284	100K TONE CONTROL-LEFT
S3	85-288	100K TONE CONTROL-RIGHT
SP1	46-522	8 1/2" P.M. SPEAKER
T1	95-814	1ST. I.F. TRANSFORMER
T2	95-839	2ND. I.F. TRANSFORMER
B.P.1	5-18	BATTERY PACK 2-26

Zenith Radio Corp.