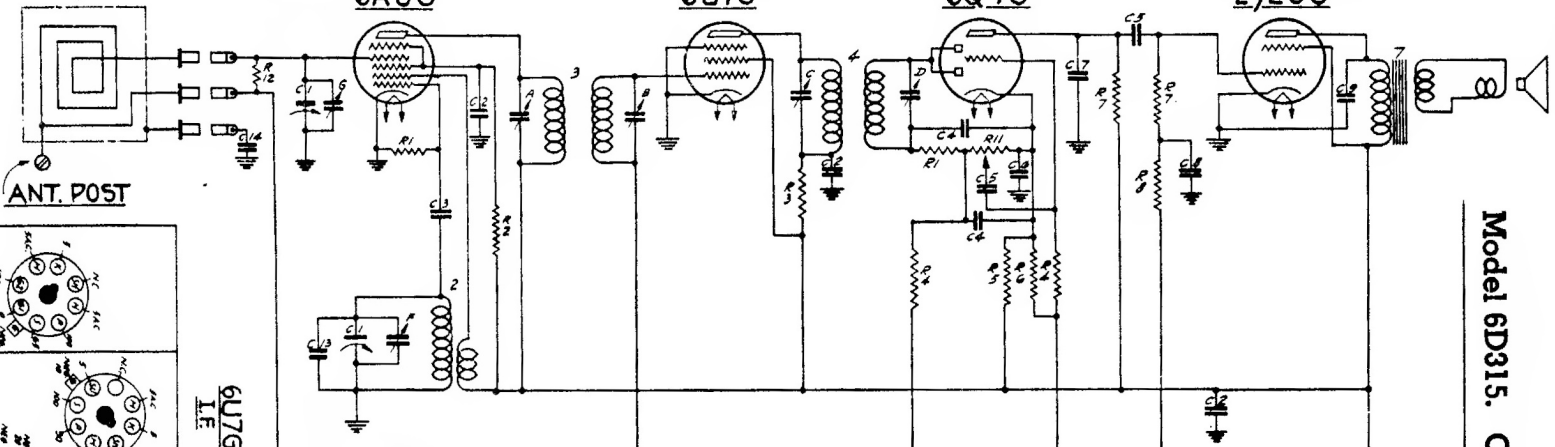
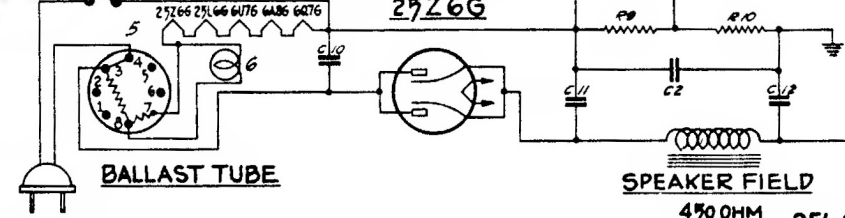


Model 6D315. Chassis No. 5657

CONVERTER 6A8G I.F. 6U7G DET.-AMP. 6Q7G POWER-AMP. 25L6G



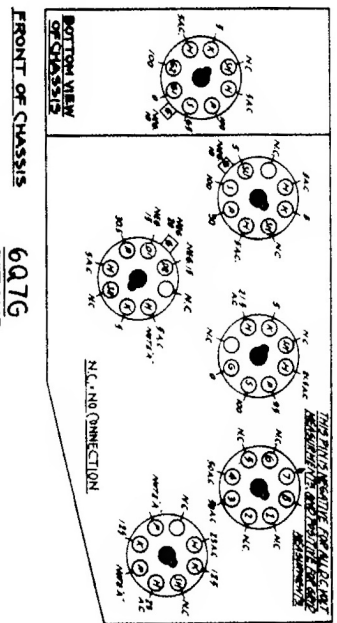
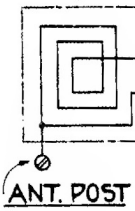
SWITCH ON VOL. CONTROL RECTIFIER 25Z6G



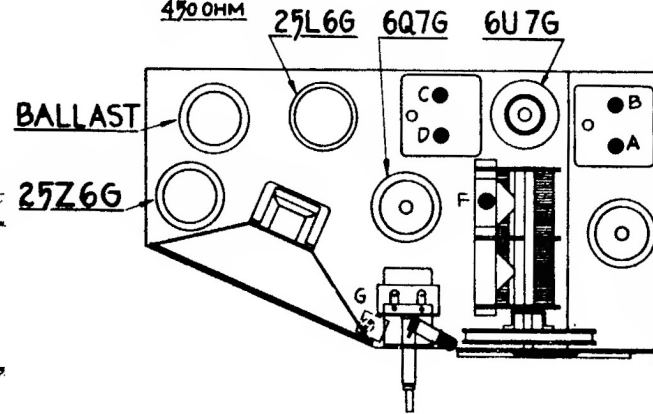
I.F. FREQUENCY - 455 K.C.
6-TUBE SUPERHETERODYNE
CHASSIS N25657-AC.DC.

ZENITH RADIO CORPORATION

Model 6D315
CHASSIS No. 5657



FRONT OF CHASSIS
6Q7G
PIL. LAMP



Location of tubes and trimmers

DIAG. NO.	PART NO.	DESCRIPTION	QTY.	PART NO.	DESCRIPTION	QTY.	PART NO.	DESCRIPTION		
C-1	22-801	TWO GANG VARIABLE		R-1	68-839	47 MOHM	1/4 W	5	100-70	BALLAST TUBE
C-2	22-250	.05 MFD	200V	R-2	68-649	18 MOHM	1/4 W	6	100-86	PILOT LIGHT 25A-6.3V
C-3	22-182	.0025 MFD	600V	R-3	68-609	1000 OHM	1/2 W	7		SPEAKER TRANS.
C-4	22-162	.0001 MFD	600V	R-4	68-271	1 MEG OHM	1/4 W			
C-5	22-196	.01 MFD	600V	R-5	68-681	56 MOHM	1/2 W			
C-6	22-185	.01 MFD	200V	R-6	68-689	680 OHM	1/4 W	A		1ST I.F. TRANS. PRI.
C-7	22-147	.0005 MFD	600V	R-7	68-296	220 MOHM	1/4 W	B		1ST I.F. SEC.
C-8	22-327	.02 MFD	200V	R-8	68-535	100 MOHM	1/4 W	C		2ND I.F. PRI.
C-9	22-320	.02 MFD	600V	R-9	68-557	60 OHM WIREWOUND		D		2ND I.F. SEC.
C-10	22-438	.02 MFD	600V	R-10	68-954	30 OHM		E		BROADCAST OSC. (ON SWING)
C-11	22-681	40 MFD ELECTROLYTIC	150V	R-11	68-1064	500 MOHM VOL. CONTROL		F		ANT. BROADCAST
C-12	22-680	16 MFD	150V	R-12	68-444	1 MEG OHM	1/4 W	G		
C-13	22-808	30 MFD	600V							
C-14	22-319	0.5 MFD	200V							
				1	5-6780	LOOP ANT. ASSEM.				
				2	3-6761	OSC. COIL ASSEM.				
				3	95-388	1ST I.F. TRANS.				
				4	95-391	2ND I.F. TRANS.				