

| DIAG. NO. | PART NO. | DESCRIPTION | DIAG. NO. | PART NO. | DESCRIPTION | DIAG. NO. | PART NO. | DESCRIPTION | |
|-----------|----------|------------------------|-----------|----------|----------------------------------|-----------|----------|-------------|------------------------------|
| C1 | 22-886 | TWO GANG VARIABLE | R1 | 63-593 | 47 M OHM | 1/4 W | 5 | 5 6903 | 2ND I.F. TRANS ASSEMBLY |
| C2 | 22-939 | 1 MFD | R2 | 63-591 | 22 M OHM | 1/4 W | 6 | 5 6997 | AUTOMATIC TUNING UNIT ASSEM. |
| C3 | 22-250 | 05 MFD | R3 | 63-572 | 15 OHM | 1/4 W | 7 | MS 517 | tone CONTROL SWITCH |
| C4 | | 100 MMFD | R4 | 63-600 | 2.2 MEG OHM | 1/4 W | 8 | 100-77 | BALLAST TUBE |
| C5 | 22-841 | 02 MFD | R5 | 63-1028 | VOLUME CONTROL | 1/4 W | 9 | 100-67 | PILOT LIGHT BULB |
| C8 | 22-860 | COMPENSATING CONDENSER | R6 | 63-602 | 4.7 MEG OHM | 1/4 W | | | 6.3 V. -15 AMP |
| C7 | | DUAL 100 MMFD | R7 | 63-296 | 220 M OHM | 1/4 W | | | |
| C8 | 22-837 | 01 MFD | R8 | 63-597 | 470 M OHM | 1/4 W | | | |
| C9 | 22-833 | 0003 MFD | R9 | 63-684 | 150 OHM WIREWOUND | 1/2 W | A | | 1ST I.F. TRANS PRI |
| C10 | 22-836 | 03 MFD | R10 | 63-1017 | 27 OHM WIREWOUND | 1/2 W | B | | 1ST I.F. TRANS SEC |
| C11 | 22-839 | 05 MFD | R11 | 63-713 | 47 M OHM | 1/4 W | D | | 2ND I.F. TRANS SEC |
| C12 | | 40 MFD ELECTROLYTIC | R12 | 63-717 | 220 M OHM | 1/4 W | F | | BROADCAST OSC. (1st GANG) |
| C13 | 22-835 | 16 | | | | 1/4 W | G | | ANTENNA BROADCAST (2nd GANG) |
| C14 | 22-835 | 20 | 1 | | WAVE MAGNET ASSEMBLY | | | | |
| C15 | 22-844 | tone CONTROL CONDENSER | 2 | | 5 6927 OSCILLATOR COIL ASSEMBLY | | | | |
| | | | 3 | | 5 6942 OSC COUPLER COIL ASSEMBLY | | | | |
| | | | 4 | | 5 6902 1ST I.F. TRANS ASSEMBLY | | | | |

| MODEL | SPEAKER | CHOKE MAX. RES. |
|--------|-----------|-----------------|
| 6D 413 | 49-324 4" | 230 Ω (COLD) |
| 6D 414 | 49-324 4" | 230 Ω (COLD) |
| 6D 426 | 49-324 4" | 230 Ω (COLD) |
| 6D 427 | 49-324 4" | 230 Ω (COLD) |
| 6D 446 | 49-336 5" | 325 Ω (HOT) |
| 6D 455 | 49-324 4" | 230 Ω (COLD) |

I.F. FREQUENCY 455 KC.
 6 TUBE SUPERHETERODYNE
 CHASSIS #5660X*5664 AC-DC.
 ZENITH RADIO CORPORATION
 CHICAGO, ILL.

MODELS 6D413, 6D414, 6D426, 6D427, 6D446, 6D455 (Chassis No. 5660)

Models 6D413, 6D414, 6D426, 6D427, 6D446, 6D455

CHASSIS No. 5660

Zenith Radio Corporation

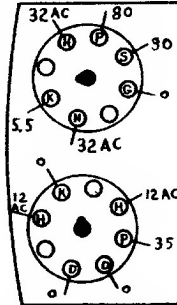
NOTE

Voltages measured from No. 7 pin on ballast tube to point indicated using a 1000 ohm per volt meter. Vol. control at minimum. Antenna disconnected.

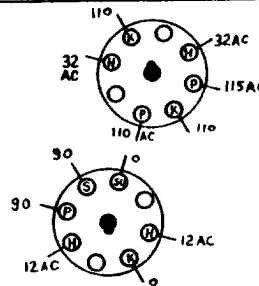
All filament voltages measured across each respective tube, using an A.C. volt-meter.

Line voltage — 110v.

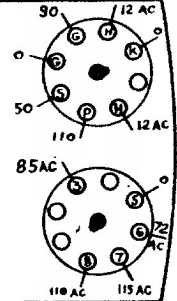
35L6G-OUTPUT



35Z5G-RECT.



12A8G-DET. OSC.



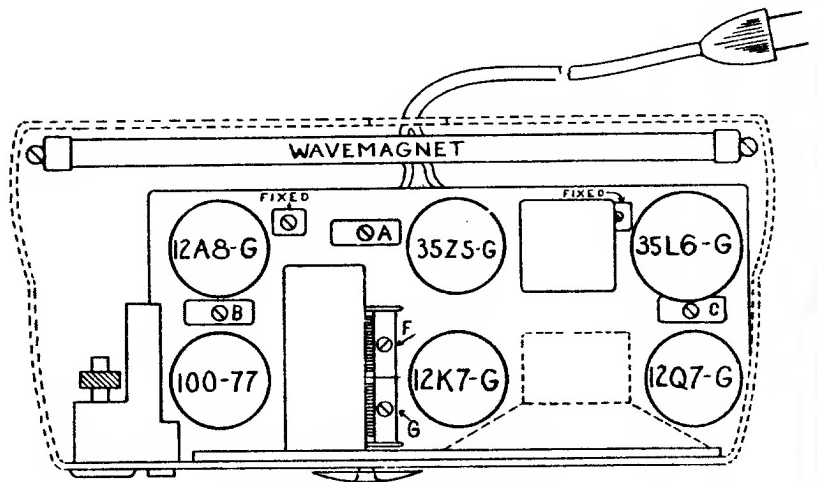
12Q7G-2ND. DET.

12K7G-I.F.
FRONT OF CHASSIS

100-77-BALLAST

LEGEND

- NC—No Connection
- SH—Shield
- H—Heater
- P—Plate
- S—Screen
- G—Grid
- SU—Suppressor
- D—Diode
- F—Filament
- K—Cathode



Location of tubes and trimmers

ALIGNMENT PROCEDURE

| Operation | Connect Test Oscillator to | Dummy Antenna | Set Test Oscillator to | Band | Set Dial At | Adjust Trimmers | Purpose |
|-----------|---|---------------|------------------------|---------|-------------|-----------------|-------------------|
| 1 | 1st Det. Grid | .5 Mfd. | 455 | B'dcast | 600 | A B C | I. F. Alignm't. |
| 2 | Single Turn Loop Loosely Coupled to Wave Magnet | — | 1500 | " | 1500 | F | Set Osc. to Scale |
| 3 | | — | 1500 | " | " | G | Alignment of Ant. |