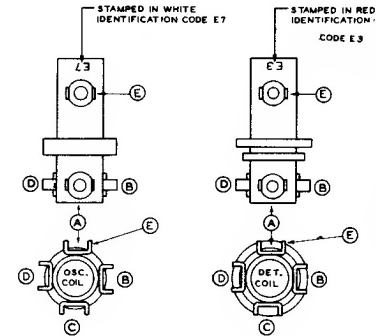
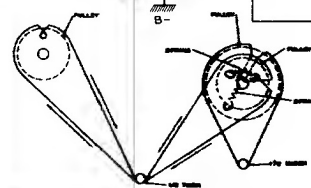


I.F. FREQUENCY 455 Kc.
TUNING RANGE
535 — 1620 Kc.



ALL VOLTAGES MEASURED FROM COMMON RETURN TO POINTS INDICATED WITH AN A.C., D.C. OR VACUUM TUBE VOLTMETER. OTHERWISE SPECIFIED.

ALL RESISTORS ±20% TOLERANCE UNLESS OTHERWISE SPECIFIED.



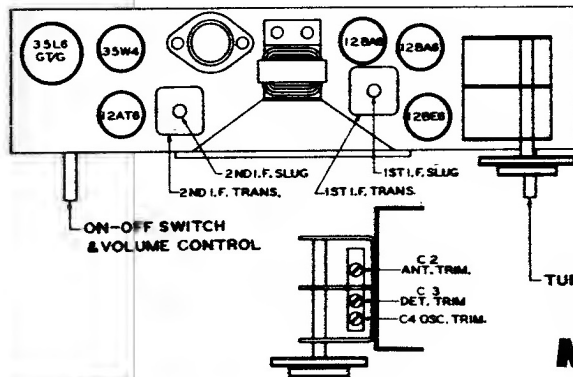
SWITCH ON VOLUME CONTROL R9

35W4 RECT.

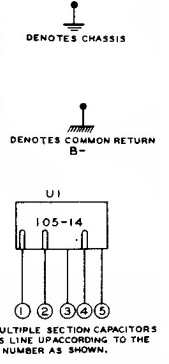
USE ONLY ZENITH NON-INDUCTIVE ELECTROLYTIC CONDENSERS FOR REPLACEMENT. IF ANY OTHER TYPE OF ELECTROLYTIC IS USED, IT WILL BE NECESSARY TO ADD PARTS SHOWN IN DOTTED LINES.

ALIGNMENT PROCEDURE

OPERATION	CONNECT OSCILLATOR TO	DUMMY ANTENNA	INPUT SIG. FREQUENCY	SET DIAL AT	TRIMMERS	PURPOSE
1	Converter Grid	.5 Mfd.	455 Kc.	600 Kc.	Adjust Primary & Secondary Slugs	For I.F. Alignment
2	Single Turn Loosely Coupled to Wave Magnet	--	1600 Kc.	1600 Kc.	C-4	Set Oscillator to Dial Scale.
3		--	1400 Kc.	1400 Kc.	C-3	Detector Alignment
4	--	--	1400 Kc.	1400 Kc.	C-2	Antenna Alignment



MODELS 6D815 CHASSIS 6E05 Zenith Radio



ON MULTIPLE SECTION CAPACITORS LEADS LINE UP ACCORDING TO THE PART NUMBER AS SHOWN.