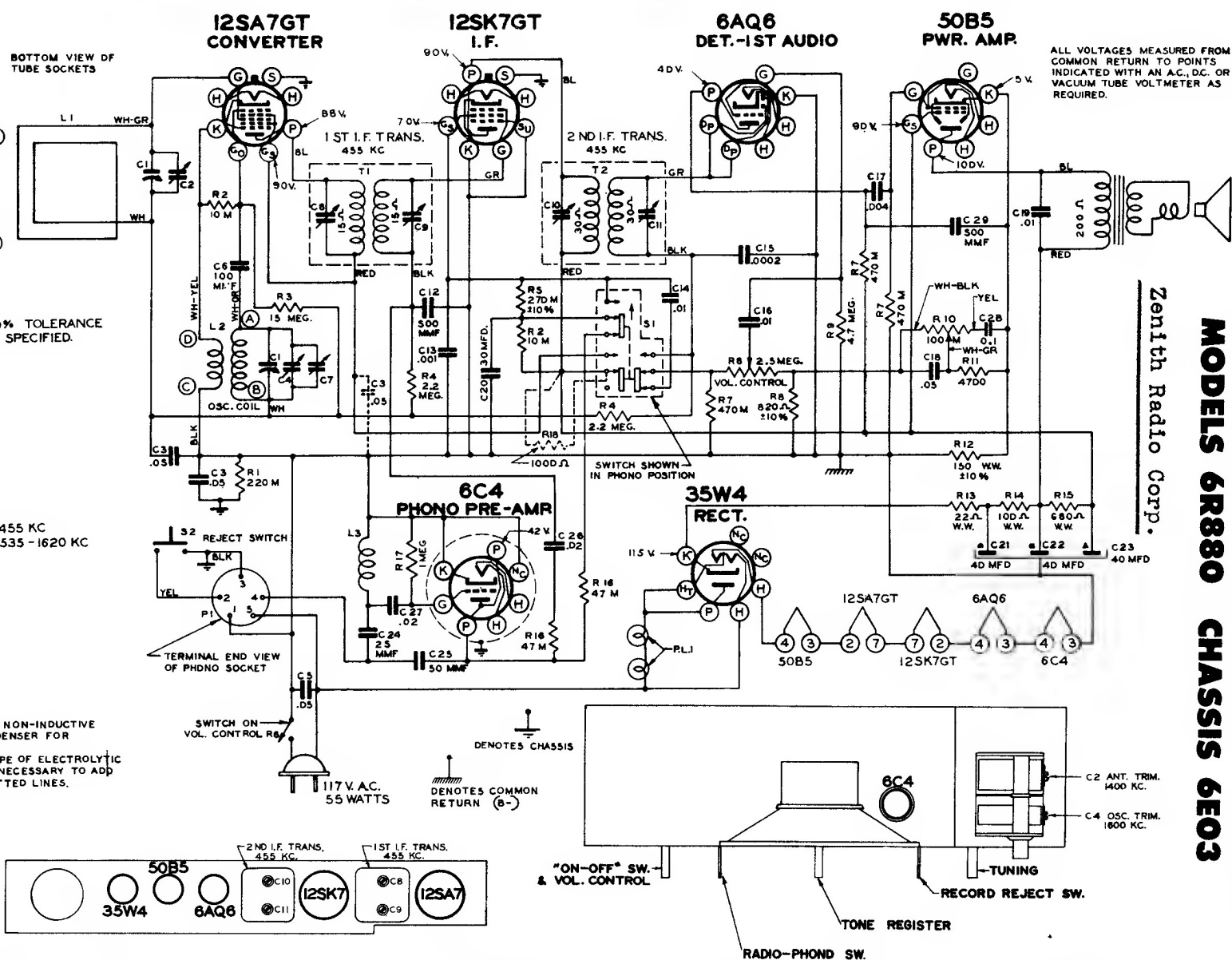


ALL RESISTORS $\pm 20\%$ TOLERANCE UNLESS OTHERWISE SPECIFIED.

I.F. FREQUENCY—455 KC
TUNING RANGE—535-1620 KC

NOTE:
USE ONLY ZENITH NON-INDUCTIVE ELECTROLYTIC CONDENSER FOR REPLACEMENT.
IF ANY OTHER TYPE OF ELECTROLYTIC IS USED IT WILL BE NECESSARY TO ADD PARTS SHOWN IN DOTTED LINES.



ALL VOLTAGES MEASURED FROM COMMON RETURN TO POINTS INDICATED WITH AN AC, DC, OR VACUUM TUBE VOLTMETER AS REQUIRED.

Zenith Radio Corp.

MODELS 6R880 CHASSIS 6E03

