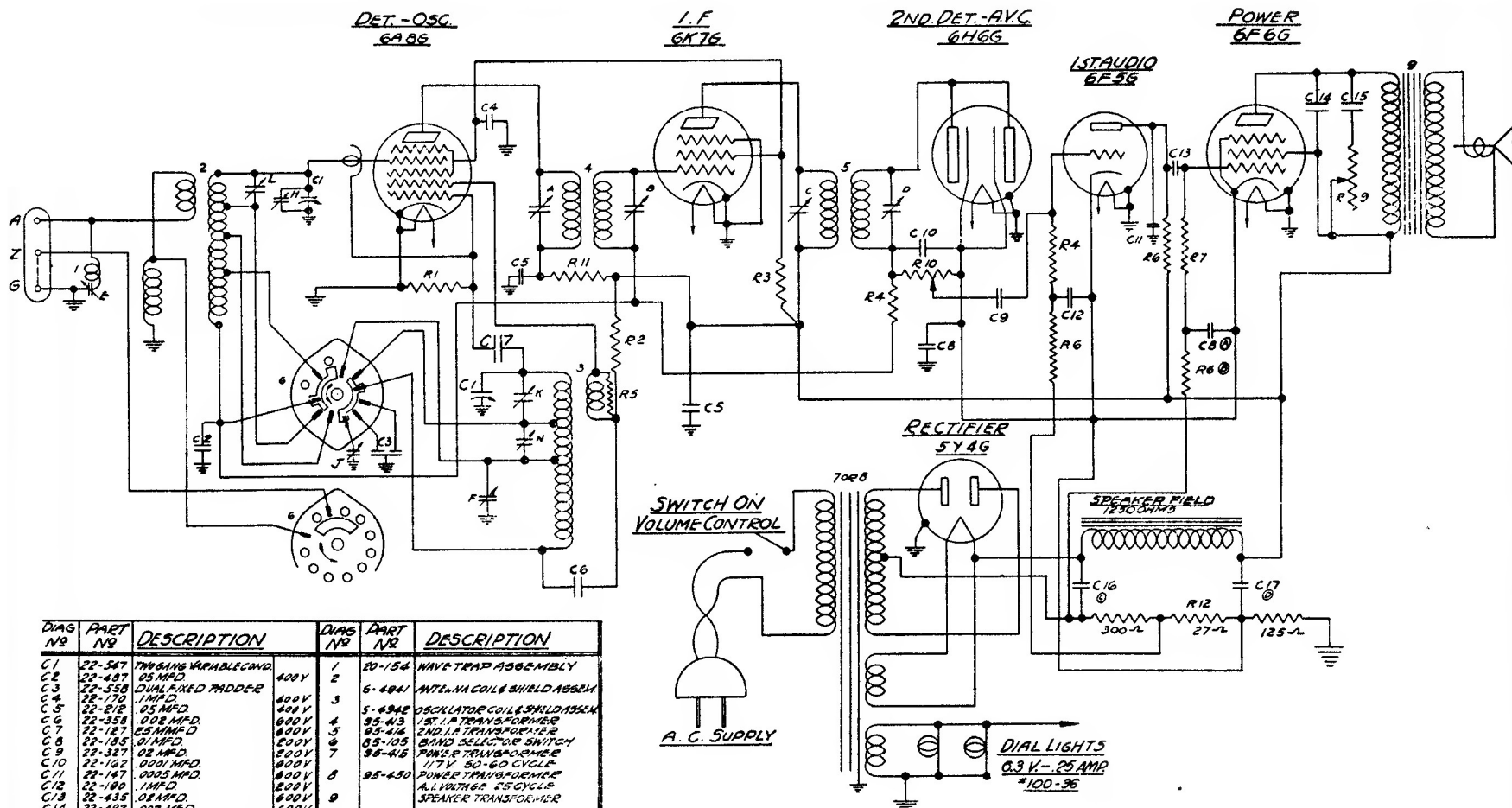


Models 6-S-203, 6-S-222, 6-S-223, 6-S-229, 6-S-239, 6-S-241 (5638 Chassis)



DIAG. NO.	PART NO.	DESCRIPTION	DIAG. NO.	PART NO.	DESCRIPTION
C1	22-547	700K5 VAR. CAP.	1	20-154	WAVE TRAP ASSEMBLY
C2	22-487	.05 MFD	2	5-4841	ANTENNA COIL SHIELD ASSEM.
C3	22-550	DUAL FIXED PADDER	3	5-4842	OSCILLATOR COIL & SHIELD ASSEM.
C4	22-170	.1 MFD	4	35-413	1ST I.F. TRANSFORMER
C5	22-212	.05 MFD	5	35-414	2ND I.F. TRANSFORMER
C6	22-358	.002 MFD	6	35-105	BAND SELECTOR SWITCH
C7	22-187	.65 MFD	7	35-416	POWER TRANSFORMER
C8	22-185	.01 MFD	8	17-K	50-60 CYCLE
C9	22-327	.02 MFD	9	95-450	POWER TRANSFORMER
C10	22-162	.0005 MFD	1		A.C. VOLTAGE 25 CYCLE
C11	22-167	.0005 MFD	2		SPEAKER TRANSFORMER
C12	22-180	.1 MFD			
C13	22-435	.02 MFD			
C14	22-492	.002 MFD			
C15	22-171	.05 MFD			
C16	22-596	1 MFD DRY ELECTROLYTIC			
C17	22-596	1 MFD DRY ELECTROLYTIC			
R-1	63-393	47M OHMS	A		1ST I.F. TRANS. PRIMARY
R-2	63-680	10M OHMS	B		1ST I.F. TRANS. SECONDARY
R-3	63-677	33M OHMS	C		2ND I.F. TRANS. PRIMARY
R-4	63-271	1M50 OHMS	D		2ND I.F. TRANS. SECONDARY
R-5	63-387	4700 OHMS	E		WAVE TRAP
R-6	63-296	220M OHMS	F		BROADCAST OSCILLATOR
R-7	63-387	470M OHMS	G		(SEE NOTE)
R-9	63-521	50M OHMS TONE CONTR.	H	22-519	ANT. BROADCAST OSCILLATOR
R-10	63-520	400M OHMS VOLUME CONTR.	J		BROADCAST PADDER
R-11	63-605	1000 OHMS	K	22-305	SHORT WAVE OSCILLATOR (SEE NOTE)
R-12	63-613	3 SECTION GANDOHM	N		SHORT WAVE DETECTOR
					PULSE BAND OSCILLATOR (SEE NOTE)

I.F. FREQUENCY 456 K.G.
 6 TUBE SUPERHETERODYNE - 3 BANDS
 CHASSIS NO 5638

ZENITH RADIO CORPORATION