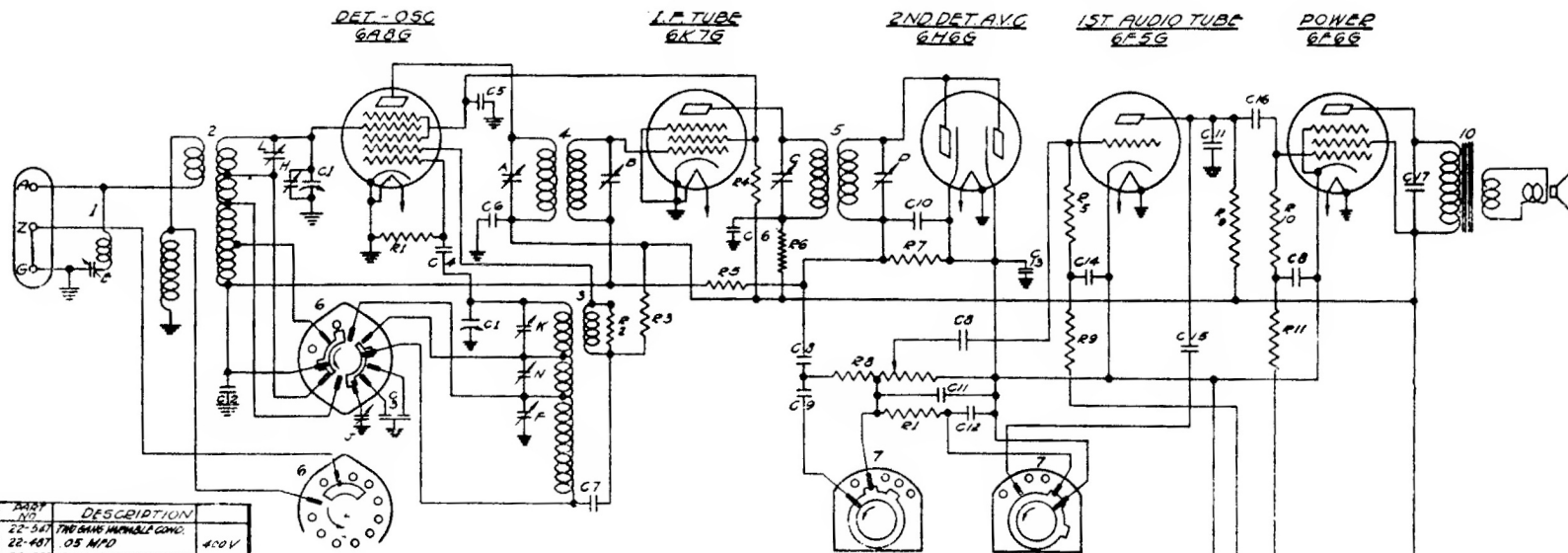


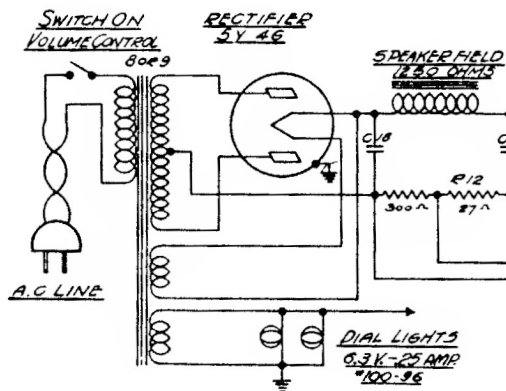
# Models 6-S-254, 6-S-256 (5644 Chassis)



WAG NO.	PART NO.	DESCRIPTION	
C1	22-547	TRIMMER VARIABLE COND.	
C2	22-407	05 MFD	400V
C3	22-538	DUAL FIXED PADDER	600V
C4	22-187	2.5 MFD	400V
C5	22-170	1 MFD	400V
C6	22-212	05 MFD	400V
C7	22-336	002 MFD	800V
C8	22-327	02 MFD	200V
C9	22-182	00025 MFD	600V
C10	22-182	0001 MFD	600V
C11	22-187	0005 MFD	600V
C12	22-326	005 MFD	400V
C13	22-185	01 MFD	200V
C14	22-150	1 MFD	200V
C15	22-448	004 MFD	600V
C16	22-835	02 MFD	600V
C17	22-482	002 MFD	600V
C18	22-551	1/4 MFD ELECTROL COND.	400V
C19	22-552	20MFD ELECTROL COND.	300V
R-1	63-593	47 M OHM	1/4W:20
R-2	63-587	4700 OHM	1/4W:20
R-3	63-600	10 M OHM	1/2W:20
R-4	63-677	33 M OHM	1/2W:10
R-5	63-271	1 MEG OHM	1/4W:20
R-6	63-605	1000 OHM	1/2W:20
R-7	63-658	330 M OHM	1/4W:10
R-8	63-789	2 MEG OHM VOLUME CONTROL	1/4W:20
R-9	63-296	220 M OHM	1/4W:20
R-10	63-597	470 M OHM	1/4W:20
R-11	63-325	150 M OHM	1/4W:20
R-12	63-619	3 SECTION CANDIDUM	
1	20-154	WAVE TRAP ASSEMBLY	
2			
3	S-5073	ANT COIL SHIELD ASSEM	
4	S-5074	OSCIL COIL SHIELD ASSEM	
5	95-416	1ST I.F. TRANSFORMER	
6	95-417	2ND I.F. TRANSFORMER	
7	95-113	BAND SELECTOR SWITCH	
8	95-108	TONE CONTROL SWITCH	
9	95-434	POWER TRANSFORMER 117V 50-HCYCLE	
10	95-434	POWER TRANSFORMER 117V 50-HCYCLE	

WAG NO.	PART NO.	DESCRIPTION
<b>VARIABLE TRIMMERS</b>		
A		1ST I.F. TRANS. PRIMARY
B		1ST I.F. TRANS. SECONDARY
C		2ND I.F. TRANS. PRIMARY
D		2ND I.F. TRANS. SECONDARY
E		WAVE TRAP
F		BROADCAST OSCIL. (SEE NOTE)
G		ANTENNA BROADCAST OSCIL.
H		
J	22-519	BROADCAST PADDER
K		SHORT WAVE OSCIL. (SEE NOTE)
L	22-305	SHORT WAVE DETECTOR
N		PULSE BAND OSCIL. (SEE NOTE)

NOTE: TRIMMERS F-K & N MOUNTED ON DIALFACE  
MOUNTED ON DIALFACE  
STIP. PART. NO. 22-324



SPEAKERS MODELS  
49-208-10" 6-S-254  
49-181-10" 6-S-256

I.F. FREQUENCY 456 KC  
6 TUBE SUPERHETERODYNE - 3 BAND  
CHASSIS NO 5644

ZENITH RADIO CORPORATION