

I.F. FREQUENCY 455K.C.

TUNING RANGE
535 — 1620 K.C.

6SK7GT

R.F.

6SA7GT

CONVERTER

6SK7

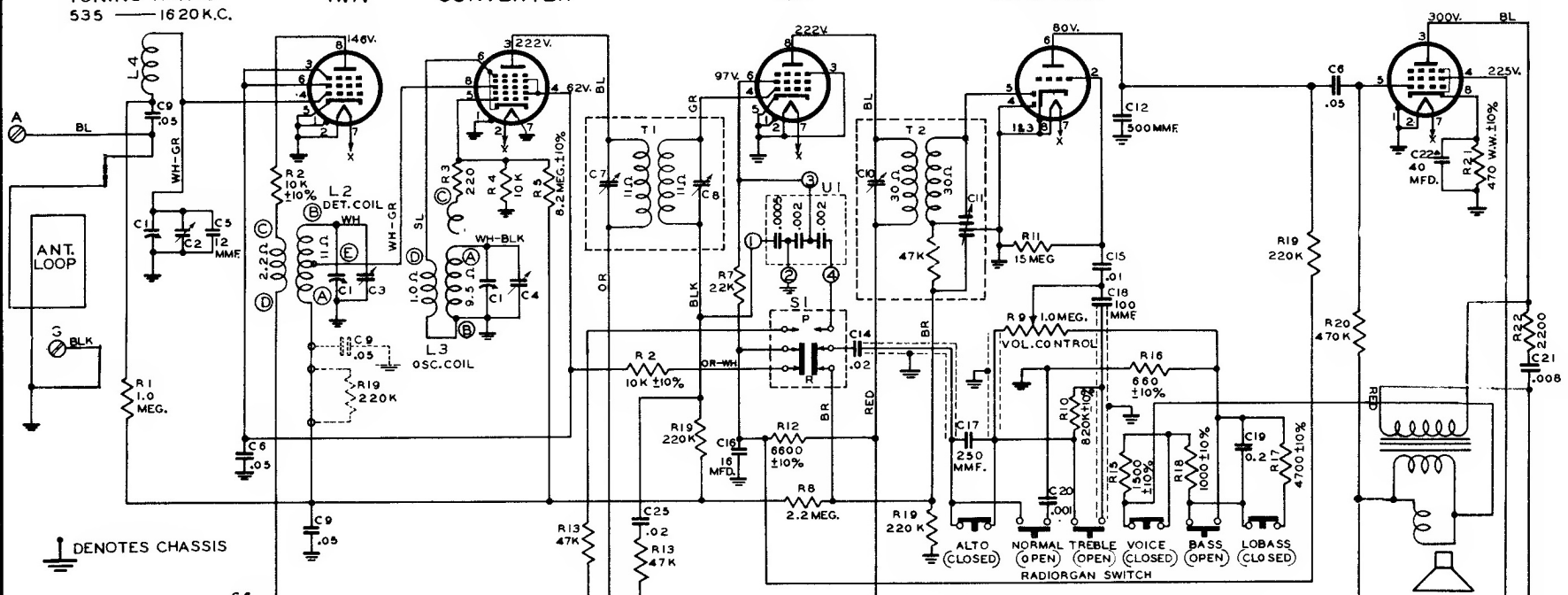
I.F.

6SQ7GT

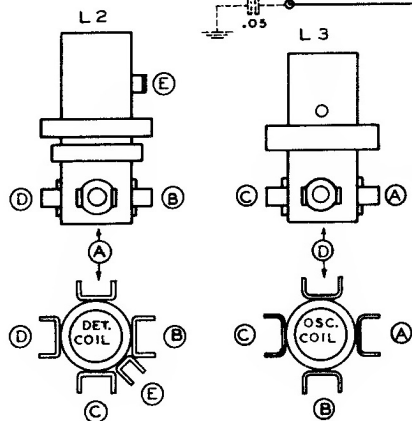
DET.-AMP.

6K6GT

PWR.-AMP.

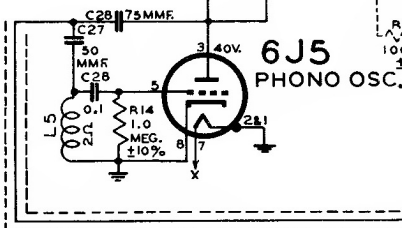


⊕ DENOTES CHASSIS



ALL VOLTAGES MEASURED FROM COMMON RETURN TO POINTS INDICATED WITH AN A.C., D.C. OR VACUUM TUBE VOLTMETER

ON TRIPLE CAPACITORS LEADS LINE UP ACCORDING TO THE PART NUMBER AS SHOWN.



REJECT SWITCH

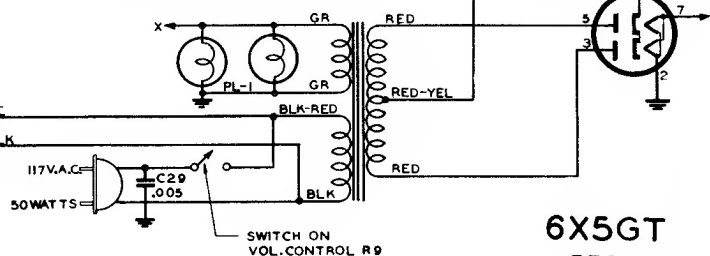


ALL VOLTAGES ARE D.C. UNLESS OTHERWISE SPECIFIED

ALL RESISTORS ±20% TOLERANCE UNLESS OTHERWISE SPECIFIED

NOTE:
USE ONLY ZENITH NON-INDUCTIVE ELECTROLYTIC CONDENSER FOR REPLACEMENT.

IF ANY OTHER TYPE OF ELECTROLYTIC IS USED, IT WILL BE NECESSARY TO ADD PARTS SHOWN IN DOTTED LINES.



6X5GT
RECT.

Zenith Radio Corp.

MODEL 7R87
CHASSIS 7E22