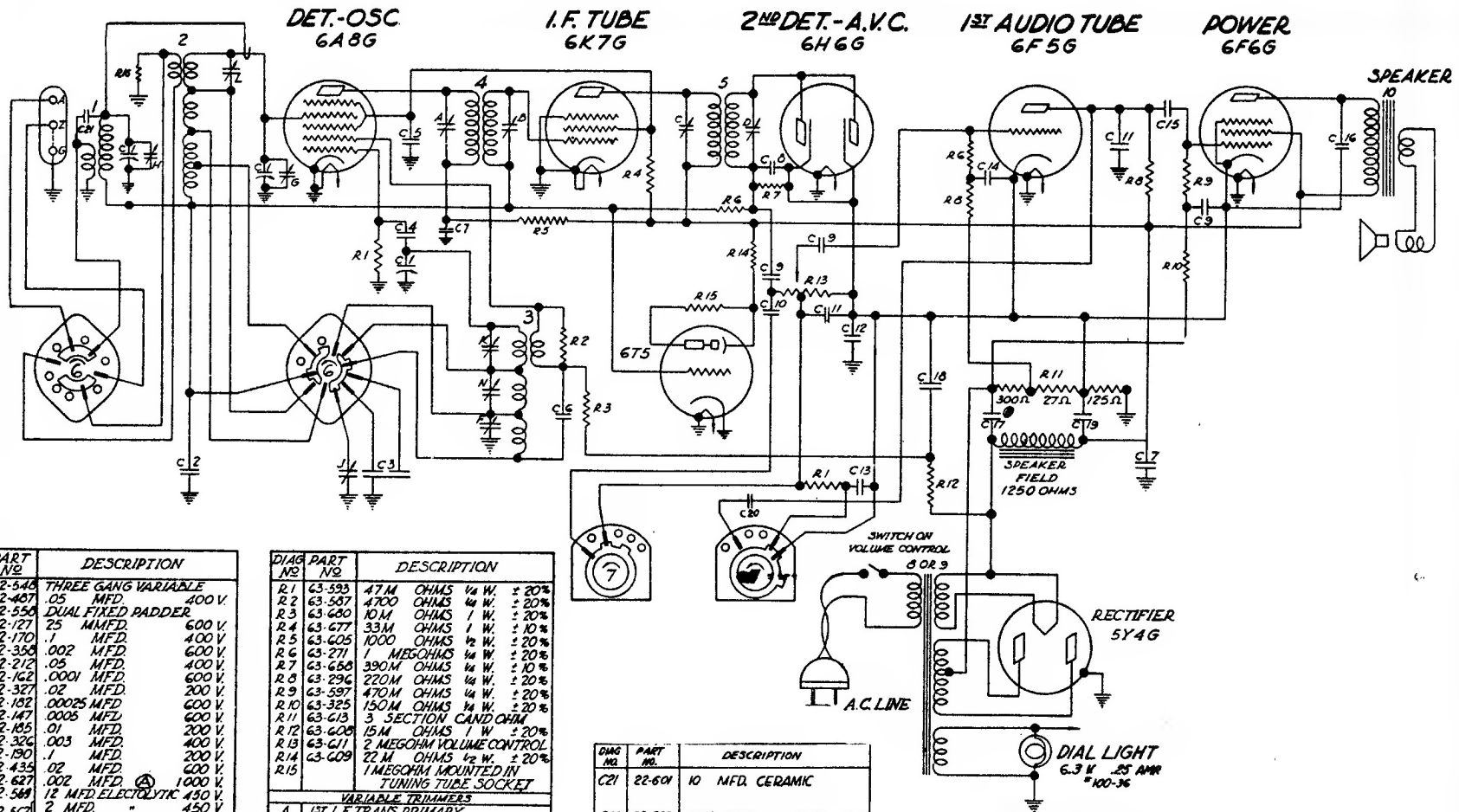


Models 7-S-204, 7-S-232, 7-S-240, 7-S-242, 7-S-258, 7-S-260, 7-S-261 (5709 Chassis)



| DIAG NO | PART NO | DESCRIPTION |
|---------|---------|---------------------------------|
| C1 | 22-548 | THREE GANG VARIABLE |
| C2 | 22-487 | .05 MFD. 400 V. |
| C3 | 22-550 | DUAL FIXED PADDER |
| C4 | 22-127 | .25 MMFD. 600 V. |
| C5 | 22-170 | .1 MFD. 400 V. |
| C6 | 22-358 | .002 MFD. 600 V. |
| C7 | 22-212 | .05 MFD. 400 V. |
| C8 | 22-162 | .0001 MFD. 600 V. |
| C9 | 22-327 | .02 MFD. 200 V. |
| C10 | 22-182 | .00025 MFD. 600 V. |
| C11 | 22-147 | .0005 MFD. 600 V. |
| C12 | 22-185 | .01 MFD. 200 V. |
| C13 | 22-326 | .003 MFD. 400 V. |
| C14 | 22-150 | .1 MFD. 200 V. |
| C15 | 22-435 | .02 MFD. 200 V. |
| C16 | 22-627 | .002 MFD. 1000 V. |
| C17 | 22-589 | .12 MFD. ELECTROLYTIC 450 V. |
| C18 | 22-562 | .2 MFD. 450 V. |
| C19 | 22-562 | .1 MFD. 450 V. |
| C20 | 22-448 | .004 MFD. 600 V. |
| C21 | 22-601 | 10 MFD. CERAMIC |
| 1 | 3-4780 | ANTENNA COIL ASSEMBLY |
| 2 | 3-5054 | DETECTOR COIL & SHIELD ASSEM. |
| 3 | 3-4969 | OSCILLATOR COIL & SHIELD ASSEM. |
| 4 | 95-416 | 1ST I.F. TRANS. |
| 5 | 95-417 | 2ND I.F. TRANS. |
| 6 | 85-110 | BAND SELECTOR SWITCH |
| 7 | 85-108 | TONE CONTROL SWITCH |
| 8 | 95-418 | POWER TRANS. 117V. 50-000CYCLE |
| 9 | 95-451 | POWER TRANS. ALL WIRELESS COILS |
| 10 | | SPEAKER TRANSFORMER |

| DIAG NO | PART NO | DESCRIPTION |
|---|---------|--|
| R1 | 63-593 | 47M OHMS 1/4 W. ± 20% |
| R2 | 63-587 | 4700 OHMS 1/4 W. ± 20% |
| R3 | 63-680 | 10M OHMS 1 W. ± 20% |
| R4 | 63-677 | 33M OHMS 1 W. ± 20% |
| R5 | 63-605 | 1000 OHMS 1/2 W. ± 20% |
| R6 | 63-271 | 1 MEGOHMS 1/4 W. ± 20% |
| R7 | 63-658 | 390M OHMS 1/4 W. ± 10% |
| R8 | 63-296 | 220M OHMS 1/4 W. ± 20% |
| R9 | 63-597 | 470M OHMS 1/4 W. ± 20% |
| R10 | 63-325 | 150M OHMS 1/4 W. ± 20% |
| R11 | 63-613 | 3 SECTION CAND OHM |
| R12 | 63-608 | 15M OHMS 1 W. ± 20% |
| R13 | 63-611 | 2 MEGOHM VOLUME CONTROL |
| R14 | 63-609 | 22M OHMS 1/2 W. ± 20% |
| R15 | 63-609 | 1 MEGOHM MOUNTED IN TUNING TUBE SOCKET |
| VARIABLE TRIMMERS | | |
| A | | 1ST I.F. TRANS. PRIMARY |
| B | | 1ST I.F. TRANS. SECONDARY |
| C | | 2ND I.F. TRANS. PRIMARY |
| D | | 2ND I.F. TRANS. SECONDARY |
| F | | BROADCAST OSCILLATOR (SEE NOTE) |
| G | | DETECTOR BROADCAST (ON GANG) |
| H | | ANTENNA BROADCAST (ON GANG) |
| J | | *22-519 BROADCAST PADDER |
| K | | SHORT WAVE OSCILLATOR (SEE NOTE) |
| L | | SHORT WAVE DETECTOR (SEE NOTE) |
| N | | POLICE BAND OSCILLATOR (SEE NOTE) |
| NOTE - TRIMMERS F, K, L & N MOUNTED ON BAKELITE STRIP #22-549 | | |

| DIAG NO | PART NO | DESCRIPTION |
|---------|---------|------------------------|
| C21 | 22-601 | 10 MFD. CERAMIC |
| R16 | 63-583 | 4000 OHMS 1/4 W. ± 20% |

SPEAKERS MODELS

| | | |
|--------|-----|---------|
| 49-203 | 8" | 7-S-232 |
| 49-206 | 8" | 7-S-240 |
| 49-206 | 8" | 7-S-242 |
| 49-181 | 10" | 7-S-258 |
| 49-195 | 12" | 7-S-260 |
| 49-195 | 12" | 7-S-261 |

I.F. - FREQUENCY 456 K.C.
 7 TUBE SUPERHETERODYNE
 3 BAND
 CHASSIS NO 5709
 ZENITH RADIO CORP.