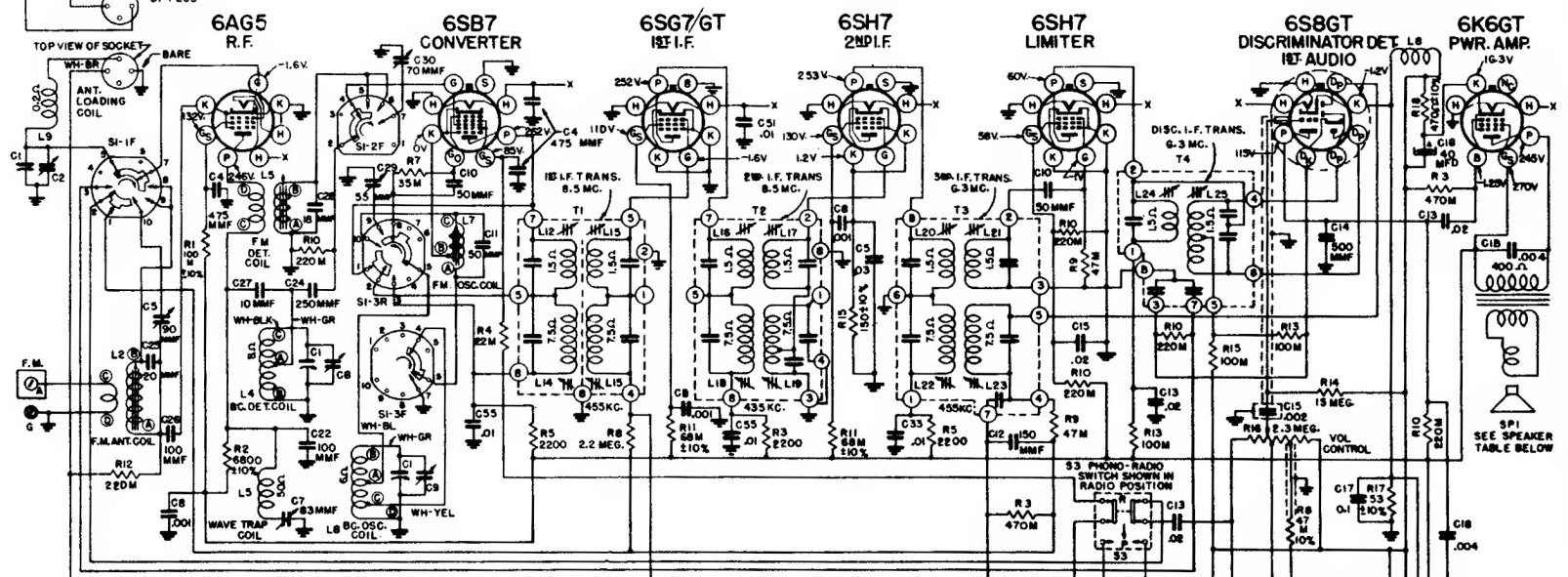
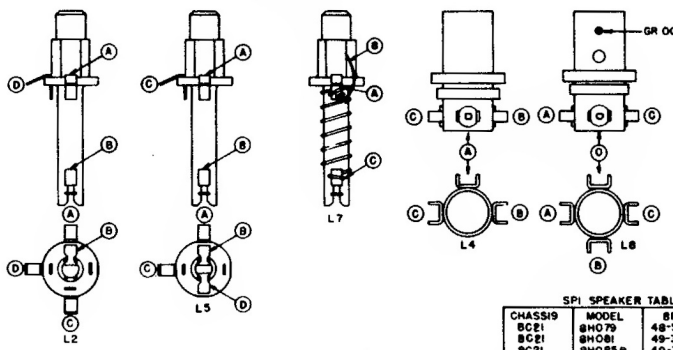


**MODELS 9H079-9H081-9H082-9H085-9H088**  
**CHASSIS No. 8C21**

ALL VOLTAGES MEASURED FROM COMMON RETURN TO POINTS INDICATED WITH AN A.C. D.C. OR VACUUM TUBE VOLTMETER.



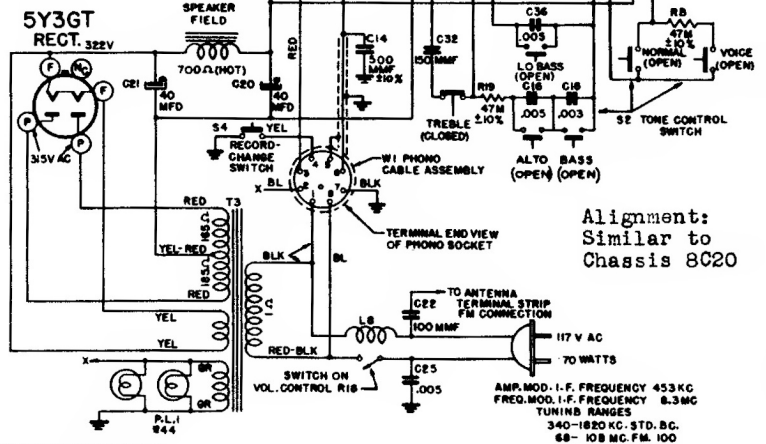
BAND SWITCH S1 SHOWN IN B'D BROADCAST POSITION  
 BAND SWITCH POSITIONS  
 1st POS. ST'D BROADCAST  
 2nd POS. FM 100  
 3rd POS. FM 45



↓  
 DENOTES CHASSIS

SPI SPEAKER TABLE

CHASSIS	MODEL	SPEAKER
8C21	9H079	48-554 10"
8C21	9H081	49-357 12"
8C21	9H085	49-357 12"
8C21	9H088	49-350 12"
8C21	9H082	49-355 8"



Alignment:  
 Similar to  
 Chassis 8C20

ALL VOLTAGES ARE O.C. UNLESS OTHERWISE SPECIFIED.

AMP. MOD. I.F. FREQUENCY 455 KC  
 FREQ. MOD. I.F. FREQUENCY 8.3 MC  
 TUNING RANGES  
 340-1820 KC. STD. BC.  
 68- 108 MC. FM. 100  
 42- 48.5 MC. FM. 45