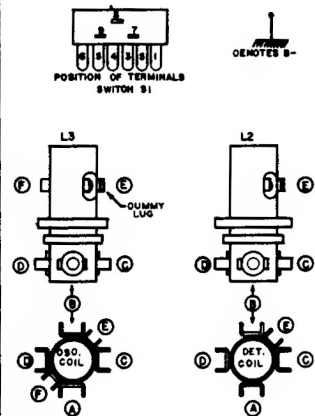
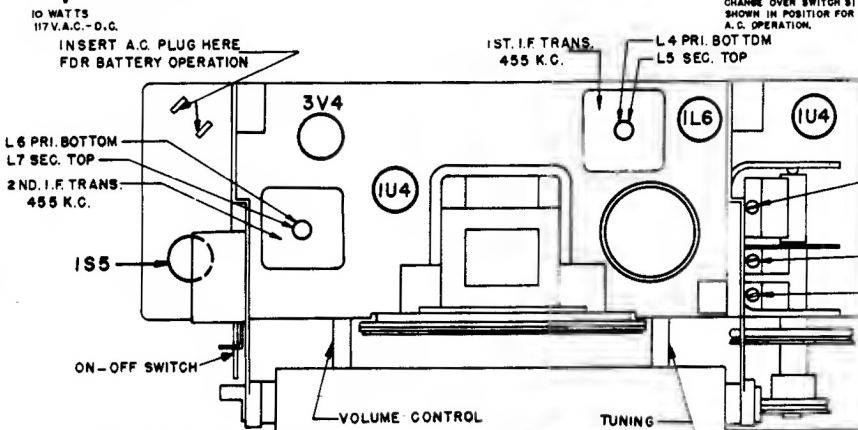


MODEL G503 — CHASSIS 5G41



I.F. FREQUENCY 455 K.C.
TUNING RANGE
835-1620 K.C. STD. BC.
BATTERY PACK NO. Z 909



USE ONLY ZENITH NON-INDUCTIVE ELECTROLYTIC CONDENSER FOR REPLACEMENT.
IF ANY OTHER TYPE OF ELECTROLYTIC IS USED IT WILL BE NECESSARY TO ADD PARTS SHOWN IN DOTTED LINES.
I.F. TRANSFORMER NUMBERING STARTS WITH #1 TERMINAL AS FIRST TERMINAL CLOCKWISE AND ADJACENT TO MARKER AS VIEWED FROM BOTTOM OF CHASSIS.
ALL VOLTAGES MEASURED FROM COMMON RETURN TO POINTS INDICATED WITH A D.C. VACUUM TUBE VOLTMETER.
ALL RESISTORS ± 20% TOLERANCE UNLESS OTHERWISE SPECIFIED.