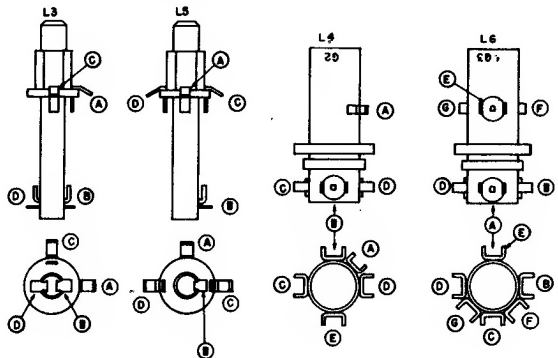


MODELS G881, G882, G883, G884 & G885
 Zenith Radio CHASSIS 8G20
 Model G944, Chassis 8G21 is similar,
 but less phono section.

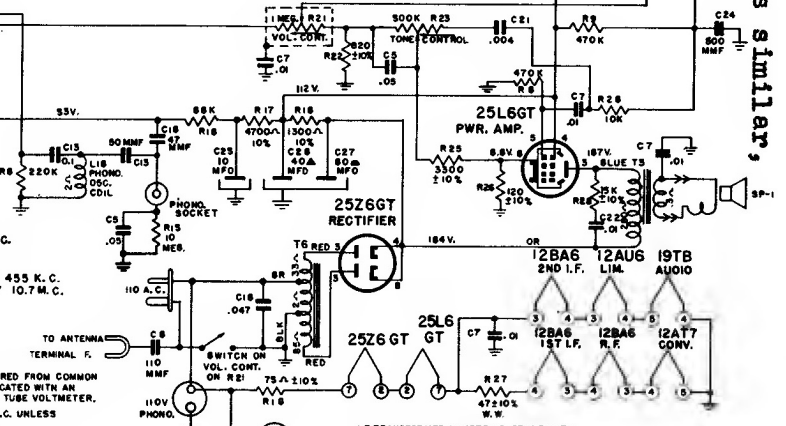
BANDSWITCH S-1 SHOWN IN PHONO POSITION FULL
 COUNTER CLOCKWISE AS VIEWED FROM FRONT OF CHASSIS.
 BANDSWITCH POSITIONS
 1ST POSITION - PHONO.
 2ND POSITION - STD. BROCAST.
 3RD POSITION - F.M.



TUNING RANGES
 S40 - 1620 K.C. STO. BC.
 88 - 108 M.C. F. M.
AMP. MOD. I.F. FREQUENCY 455 K.C.
FREQ. MOD. I.F. FREQUENCY 10.7 M.C.

ALL VOLTAGES MEASURED FROM COMMON
 RETURN TO POINTS INDICATED WITH AN
 A.C., D.C. OR VACUUM TUBE VOLTMETER.
 ALL VOLTAGES ARE D.C. UNLESS
 OTHERWISE SPECIFIED.
 ALL RESISTORS ARE ± 20% TOLERANCE
 UNLESS OTHERWISE SPECIFIED.

DENOTES CHASSIS

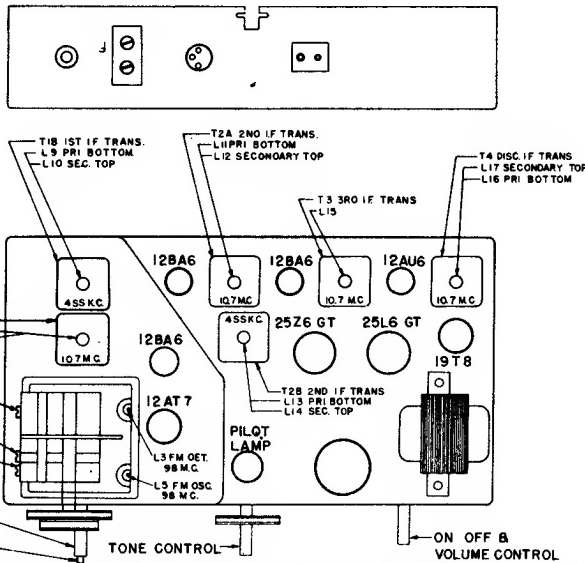


I.F. TRANSFORMER NUMBERS START WITH
 M TERMINAL AS FIRST TERMINAL CLOCKWISE
 AND ADJACENT TO MARKER AS VIEW FROM
 THE BOTTOM OF CHASSIS.

ARROWS ON CONTROLS INDICATE CLOCKWISE ROTATION.

ALIGNMENT PROCEDURE

Operation	Connect Oscillator To	Dummy Antenna	Input Signal Frequency	Band	Set Dial To	Adj. Trimmers	Purpose
1	Pin 2 12AT7 Converter	.05 Mfd.	455 Kc. Modulated	BC	600 Kc.	L9, 10, 13, 14	Align I F. channel for maximum output.
2	2 turns loosely cpd. to wavemagnet		1600 Kc. Modulated	BC	1600 Kc.	C4	Set oscillator to dial scale.
3	2 turns loosely cpd. to wavemagnet		1400 Kc. Modulated	BC	1400 Kc.	C3, C2	Align detector and antenna stage.
4 (a)	Pin 1 (grid) on 12AU6 limiter.	.05 Mfd.	10.7 Mc. Unmodulated	FM 100		L16 coil slug Primary discr.	Align primary of discriminator for maximum reading.
5 (b)	Pin 1 (grid) on 12AU6 limiter.	.05 Mfd.	10.7 Mc. Unmodulated	FM 100		L17 coil slug sec. of discr.	Adjust secondary of discriminator for zero reading.
6 (c)	Pin 1 (grid) on 12BA6 2nd. I F.	.05 Mfd.	10.7 Mc. Unmodulated	FM 100		L15 Prim. of 3rd. IF trans.	Align 3rd. IF transformer for maximum reading.
7 (c)	Pin 1 (grid) on 12BA6 1st. IF.	.05 Mfd.	10.7 Mc. Unmodulated	FM 100		L11 and L12 Prim. and Sec. of 2nd. IF transformer.	Align 2nd IF transformer for maximum reading.
8 (c)	Pin 2 (grid) on 12AT7 converter tube socket.	.05 Mfd.	10.7 Mc. Unmodulated	FM 100		L7 and L8 Prim. and Sec. of 1st. IF transformer.	Align 1st. IF transformer for maximum reading.
9 (c)	Antenna Post FM (Remove line ant.)	270 ohms	98 Mc. Unmodulated	FM 100	98 Mc.	L5 Osc. Coil Slug.	Set Oscillator to dial scale.
10 (c) (d)		270 ohms	98 Mc. Unmodulated	FM 100	98 Mc.	L3 Det. Coil Slug	Align det. stage to maximum reading.



Alignment of this chassis will in most cases be unnecessary unless an IF or RF transformer is replaced or the adjustments have been tampered with.

Correct alignment can only be made if the following procedure is followed:

A vacuum tube voltmeter with an isolation resistor of 2,000,000 ohms in series with the hot lead will serve for FM adjustments. This lead should be shielded.

An AC output meter connected across the primary or secondary of the output transformer will be satisfactory for all AM adjustments.

The signal generator output should be kept just high enough to get an indication on the meter.

- (a) Vacuum Tube Voltmeter Lug 7 on discriminator transformer to chassis (half discriminator load).
- (b) Vacuum Tube Voltmeter Lug 5 on discriminator transformer to chassis (full discriminator load).
- (c) Vacuum Tube Voltmeter from Limiter Grid to Chassis.
- (d) Loosen Slugs by applying a hot iron to the cement.

Schematic diagram on previous page.

ZENITH RADIO CORP.
Alignment Instructions for
Chassis 8G20, 8G21, used in
Models 8844, 8881, 8882,
8883, 8884, and 8885.