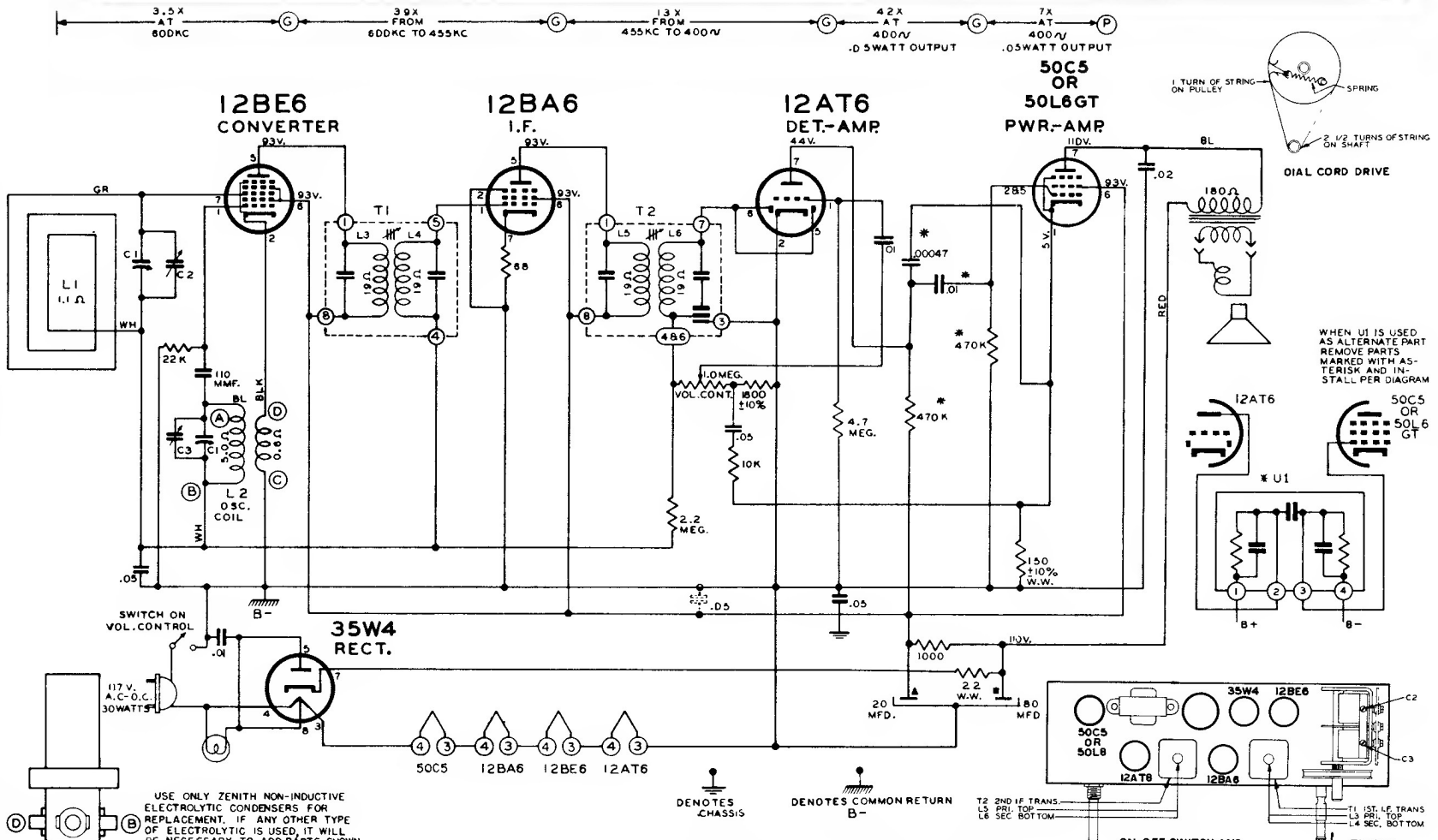


ZENITH MODELS H511, H511Y, H511W, CHASSIS 5H01



USE ONLY ZENITH NON-INDUCTIVE ELECTROLYTIC CONDENSERS FOR REPLACEMENT. IF ANY OTHER TYPE OF ELECTROLYTIC IS USED, IT WILL BE NECESSARY TO ADD PARTS SHOWN IN DOTTED LINES.

I. F. FREQUENCY 455 KC
 TUNING RANGE 535 --- 1620KC

I F TRANSFORMER NUMBERING STARTS WITH *1 TERMINAL AS FIRST TERMINAL CLOCKWISE AND ADJACENT TO MARKER AS VIEWED FROM BOTTOM OF CHASSIS.

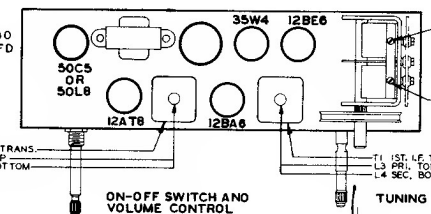
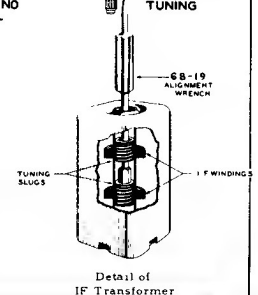
ALL VOLTAGES MEASURED FROM COMMON RETURN TO POINTS INDICATED WITH AN A.C., O.C. OR VACUUM TUBE VOLTMETER.

ALL VOLTAGES ARE D.C. UNLESS OTHERWISE SPECIFIED.

ALL RESISTORS ±20% TOLERANCE UNLESS OTHERWISE SPECIFIED.

ALIGNMENT PROCEDURE

OPERATION	CONNECT OSCILLATOR TO	DUMMY ANTENNA	INPUT SIG. FREQUENCY	SET DIAL AT	TRIMMERS	PURPOSE
1	Converter Grid	.5 Mfd.	455 Kc.	600 Kc.	L3, L4, L5, L6	Align I.F. for maximum output
2	One Turn Loop Coupled Loosely to Wave Magnet	---	1600 Kc.	1600 Kc.	C3	Set Oscillator to Dial Scale.
3		---	1400 Kc.	1400 Kc.	C2	Align Antenna Stage



WHEN U1 IS USED AS ALTERNATE PART REMOVE PARTS MARKED WITH * AND INSTALL PER DIAGRAM

⊕ DENOTES CHASSIS
 ⊕ DENOTES COMMON RETURN B-

T2 2ND IF TRANS L3 PRI. TOP L6 SEC. BOTTOM

Detail of IF Transformer