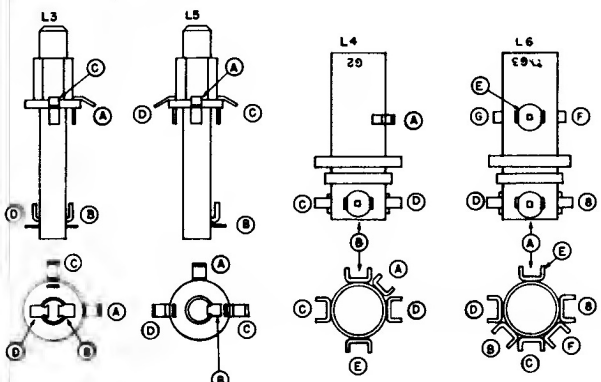


BANDSWITCH S-1 SHOWN IN PHONO POSITION FULL
COUNTER CLOCKWISE AS VIEWED FROM FRONT OF CHASSIS.
BANDSWITCH POSITIONS 1ST POSITION - PHONO.
2ND POSITION - STD. BROADCAST.
3RD POSITION - F.M.



TUNING RANGES
540-1620 K.C. STD. BC.
88-108 M.C. F. M.
AMP. MOD. I.F. FREQUENCY 455 K.C.
FREQ. MOD. I.F. FREQUENCY 10.7 M.C.

ALL VOLTAGES MEASURED FROM COMMON
RETURN TO POINTS INDICATED WITH AN
A.C., D.C. OR VACUUM TUBE VOLTMETER.
ALL VOLTAGES ARE D.C. UNLESS
OTHERWISE SPECIFIED.
ALL RESISTORS ARE 220% TOLERANCE
UNLESS OTHERWISE SPECIFIED.

⊥ DENOTES CHASSIS

I.F. TRANSFORMER NUMBERING START WITH
W1 TERMINAL AS FIRST TERMINAL, CLOCKWISE
AND ADJACENT TO MARKER AS VIEWED FROM
THE BOTTOM OF CHASSIS.
ARROWS ON CONTROLS INDICATE CLOCKWISE ROTATION.

ZENITH RADIO CORP. MODEL H880RZ, CHASSIS 8H20
(Models H880R and H880R-revised are similar to Model H880RZ,
but do not have radiation shielding).

	Connect Oscillator To	Dummy Antenna	Input Signal Frequency	Band	Set Dial To	Adj. Trimmers	Purpose
1	Pin 2 12AT7 Converter	.05 Mfd.	455 Kc. Modulated	BC	600 Kc.	L9, 10, 13, 14	Align I. F. channel for maximum output.
2	2 turns loosely cpld. to wavemagnet		1600 Kc. Modulated	BC	1600 Kc.	C4	Set oscillator to dial scale.
3	2 turns loosely cpld. to wavemagnet		1400 Kc. Modulated	BC	1400 Kc.	C3, C2	Align detector and antenna stage.
4 (a)	Pin 1 (grid) on 12AU6 limiter.	.05 Mfd.	10.7 Mc. Unmodulated	FM 100		L16 coil slug Primary discr.	Align primary of discriminator for maximum reading.
5 (b)	Pin 1 (grid) on 12AU6 limiter.	.05 Mfd.	10.7 Mc. Unmodulated	FM 100		L17 coil slug sec. of discr.	Adjust secondary of discriminator for zero reading.
6 (c)	Pin 1 (grid) on 12BA6 2nd. I F.	.05 Mfd.	10.7 Mc. Unmodulated	FM 100		L15 Prim. of 3rd. IF trans.	Align 3rd. IF transformer for maximum reading.
7 (c)	Pin 1 (grid) on 12BA6 1st. IF.	.05 Mfd.	10.7 Mc. Unmodulated	FM 100		L11 and L12 Prim. and Sec. of 2nd. IF transformer.	Align 2nd IF transformer for maximum reading.
8 (c)	Pin 2 (grid) on 12AT7 converter tube socket.	.05 Mfd.	10.7 Mc. Unmodulated	FM 100		L7 and L8 Prim. and Sec. of 1st. IF transformer.	Align 1st. IF transformer for maximum reading.
9 (c)	Antenna Post FM (Remove line ant.)	270 ohms	98 Mc. Unmodulated	FM 100	98 Mc.	L5 Osc. Coil Slug.	Set Oscillator to dial scale.
10 (c) (d)		270 ohms	98 Mc. Unmodulated	FM 100	98 Mc.	L3 Det. Coil Slug	Align det. stage to maximum reading.

Correct alignment can only be made if the following procedure is followed:

A vacuum tube voltmeter with an isolation resistor of 2,000,000 ohms in series with the hot lead will serve for FM adjustments. This lead should be shielded.

An AC output meter connected across the primary or secondary of the output transformer will be satisfactory for all AM adjustments.

The signal generator output should be kept just high enough to get an indication on the meter.

- Vacuum Tube Voltmeter Lug 7 on discriminator transformer to chassis (half discriminator load).
- Vacuum Tube Voltmeter Lug 5 on discriminator transformer to chassis (full discriminator load).
- Vacuum Tube Voltmeter from Limiter Grid to Chassis.
- Loosen Slugs by applying a hot iron to the cement.

