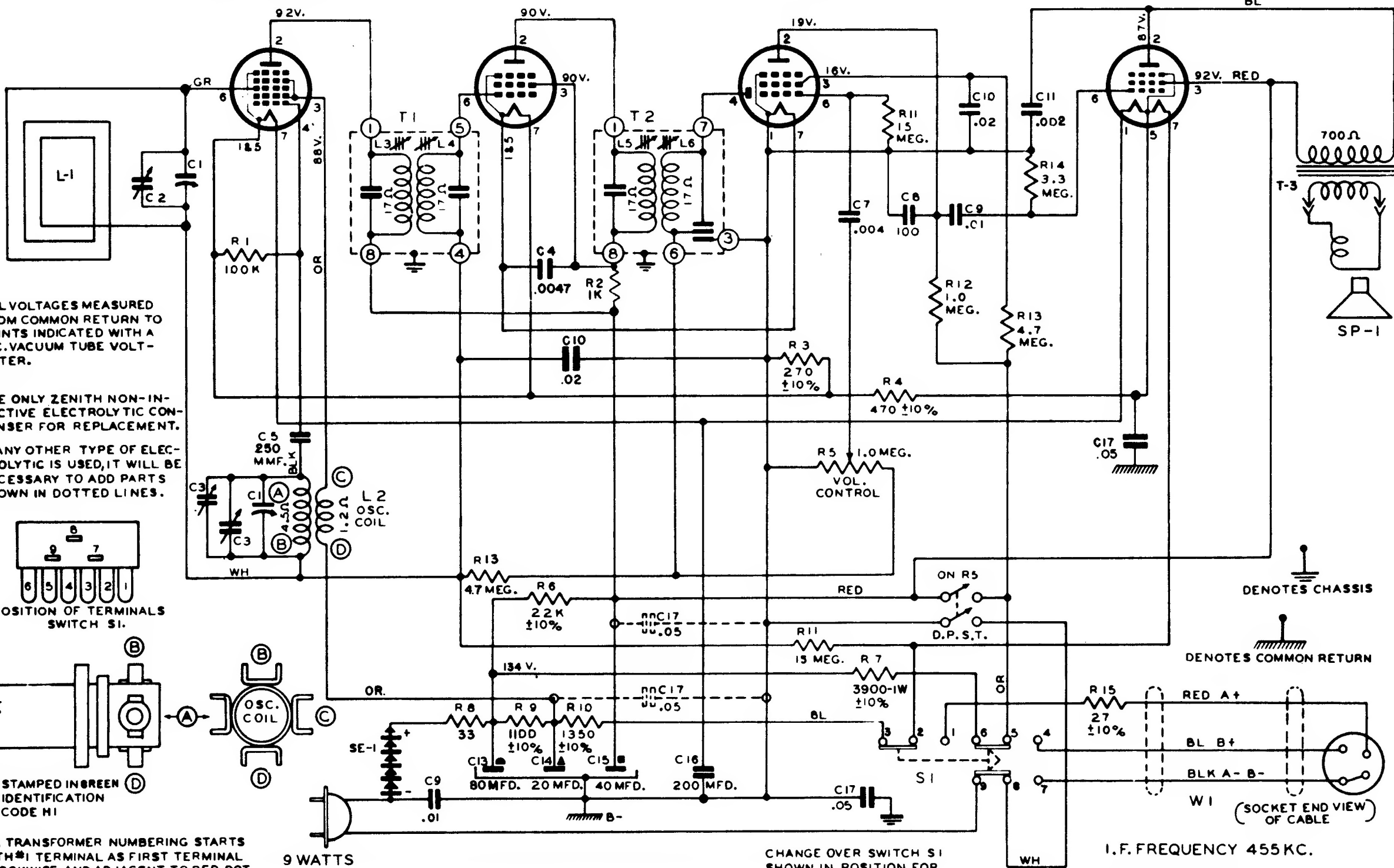


1R5 CONVERTER

1U4 I.F.

1U5 DET. AMP.

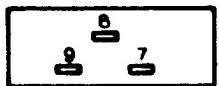
3V4 PWR. AMP.



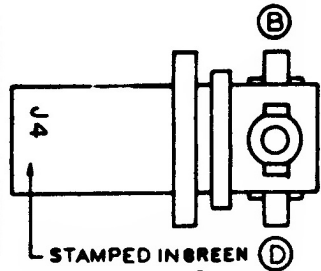
ALL VOLTAGES MEASURED FROM COMMON RETURN TO POINTS INDICATED WITH A D.C. VACUUM TUBE VOLT-METER.

USE ONLY ZENITH NON-INDUCTIVE ELECTROLYTIC CONDENSER FOR REPLACEMENT.

IF ANY OTHER TYPE OF ELECTROLYTIC IS USED, IT WILL BE NECESSARY TO ADD PARTS SHOWN IN DOTTED LINES.



POSITION OF TERMINALS SWITCH S1.



STAMPED IN GREEN IDENTIFICATION CODE M1

I.F. TRANSFORMER NUMBERING STARTS WITH #1 TERMINAL AS FIRST TERMINAL CLOCKWISE AND ADJACENT TO RED DOT AS VIEWED FROM BOTTOM OF CHASSIS.

BATTERY PACK NO. Z909

9 WATTS
117V. A.C.-D.C.

ALL RESISTORS $\pm 20\%$ TOLERANCE UNLESS OTHERWISE SPECIFIED.

CHANGE OVER SWITCH S1 SHOWN IN POSITION FOR A.C. OPERATION.

I.F. FREQUENCY 455 KC.
TUNING RANGE
535-1620 K.C. STD. B.C.

Zenith Radio Corp.

MODEL J402

CHASSIS 4J40

DENOTES CHASSIS

DENOTES COMMON RETURN

W1 (SOCKET END VIEW OF CABLE)