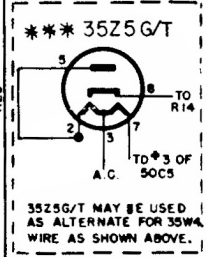
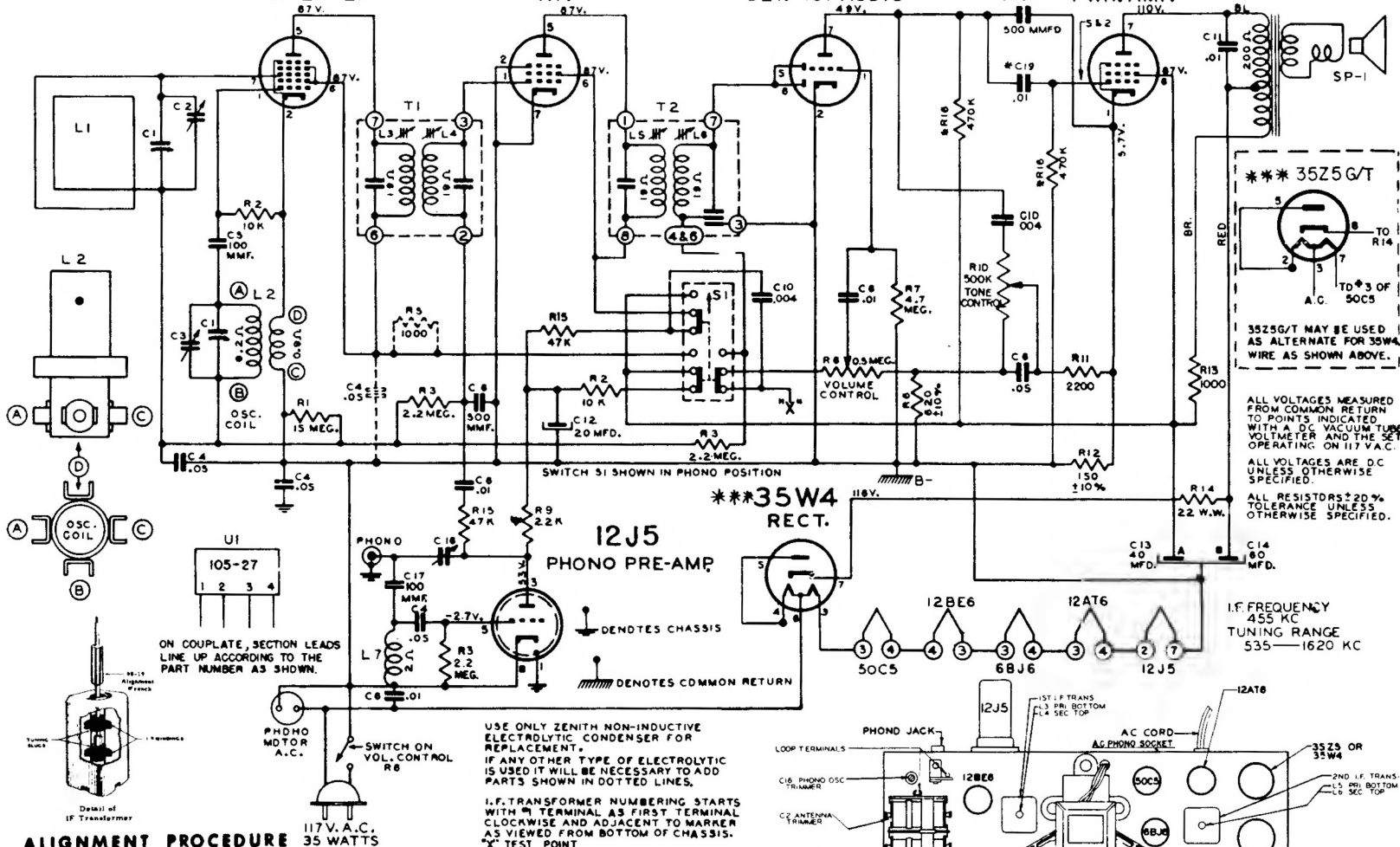


### 12BE6 CONVERTER

### 6BJ6 I.F.

### 12AT6 DET.-1ST AUDIO

### 50C5 PWR. AMP.

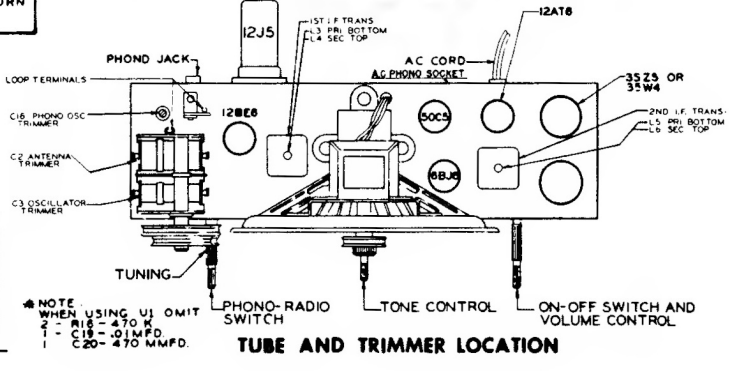
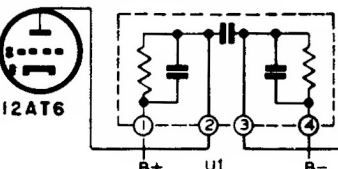


ALL VOLTAGES MEASURED FROM COMMON RETURN TO POINTS INDICATED WITH A D.C. VACUUM TUBE VOLTMETER AND THE SET OPERATING ON 117 V.A.C.  
ALL VOLTAGES ARE D.C. UNLESS OTHERWISE SPECIFIED.  
ALL RESISTORS ±20% TOLERANCE UNLESS OTHERWISE SPECIFIED.

I.F. FREQUENCY 455 KC  
TUNING RANGE 535—1620 KC

### ALIGNMENT PROCEDURE

OPERATION	CONNECT OSCILLATOR TO	DUMMY ANTENNA	INPUT SIG. FREQUENCY	SET DIAL AT	TRIMMERS
1	Converter Grid	5 MΩ.	455 Kc.	600 Kc.	L3, 4, 5, 6
2	One Turn Loop Coupled Loosely to Wave Magnet	--	1600 Kc.	1600 Kc.	C-3
3		--	1400 Kc.	1400 Kc.	C-2



\* NOTE WHEN USING U1 OMIT  
1 - R16 - 470 K  
2 - C19 - .01MFD.  
3 - C20 - 470 MMFD.

Zenith Radio Corp. \* Models J664, J665E, and J665R, Chassis 6J02.