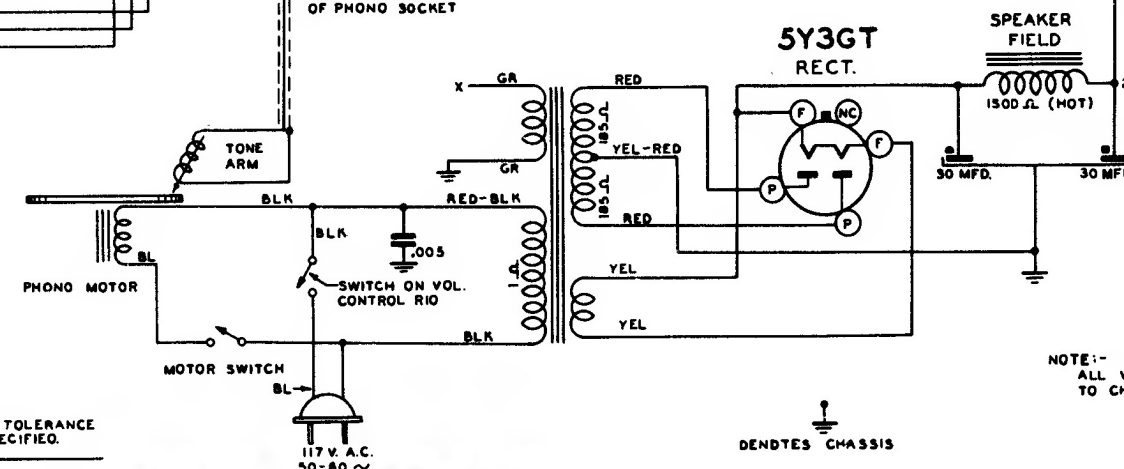
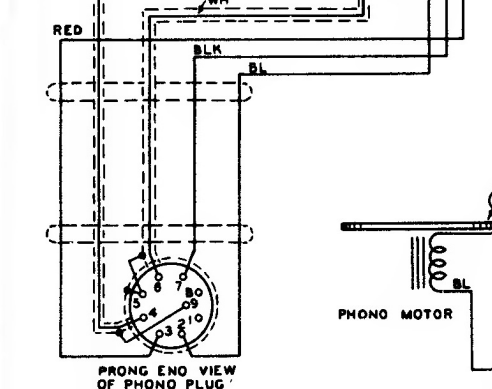
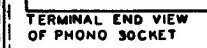


ALL VOLTAGES MEASURED FROM COMMON RETURN TO POINTS INDICATED WITH AN A.C. DC. OR VACUUM TUBE VOLTMETER AS REQUIRED.



NOTE:
IN SOME OF THE EARLY PRODUCTION 4C21 CHASSIS, A .002 CAPACITOR WAS CONNECTED BETWEEN THE 6SC7 PLATE (PIN 5) AND CHASSIS. C7 WAS .02 MFD. TO INCREASE THE HIGH FREQUENCY RESPONSE, TAKE OUT THE .002 MFD. CAPACITOR AND CHANGE C7 TO .04 MFD. AS SHOWN BY THE SCHEMATIC DIAGRAM.

NOTE:- ALL VOLTAGES WITH RESPECT TO CHASSIS GROUND.

ALL RESISTORS ±20% TOLERANCE UNLESS OTHERWISE SPECIFIED.



MODEL S 12600
CHASSIS No. 4C21