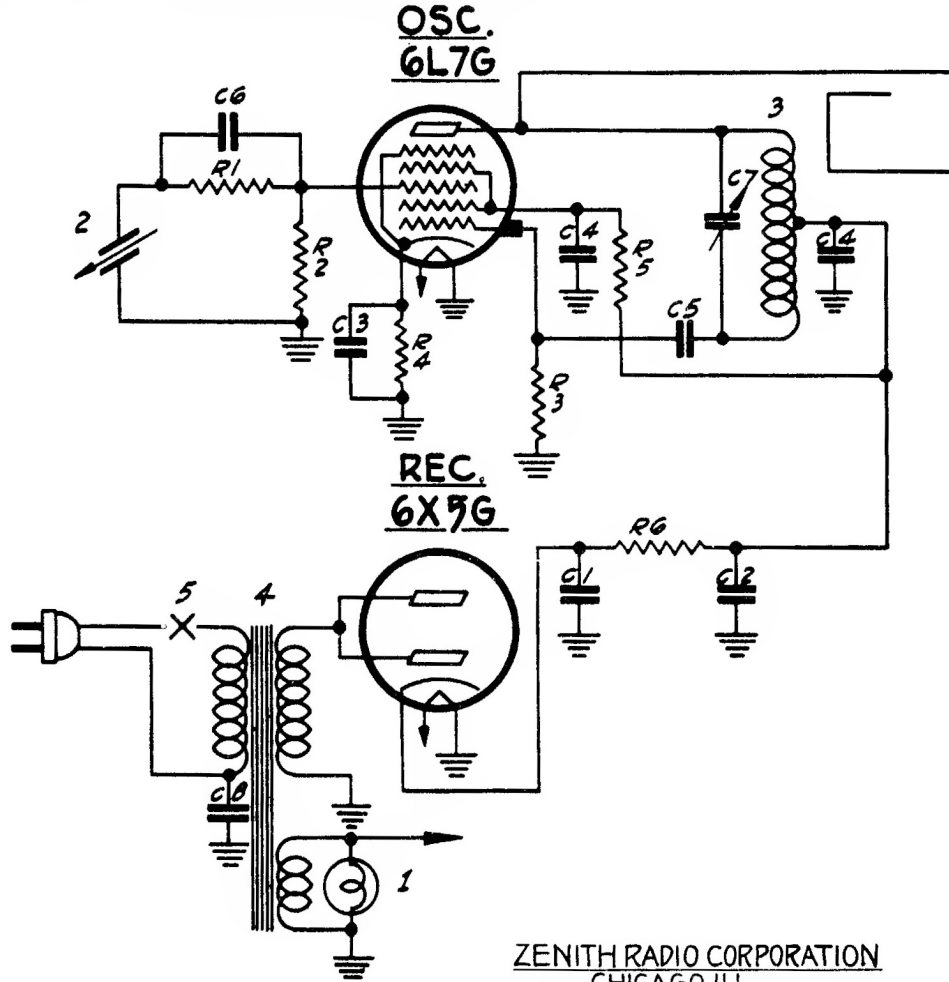


# PHONOGRAPH OSCILLATOR

**MODEL-S 6622**

DIAG. NO	PART NO	DESCRIPTION	
C-1	22-768	16 MFD. ELECTROLYTIC	200V
C-2		40 MFD.	150V
C-3	22-250	.05 MFD	200V
C-4	22-196	.01 MFD	600V
C-5	22-182	.00025 MFD	600V
C-6	22-147	.0005 MFD	600V
C-7	22-463	TRIMMER	
C-8	22-525	.005 MFD	1000V
R-1	63-658	390 M OHM	1/4 W
R-2	63-654	180 M OHM	1/4 W
R-3	63-593	47 M OHM	1/4 W
R-4	63-583	1000 OHM	1/4 W
R-5	63-587	4700 OHM	1/4 W
R-6	63-964	4700 OHM	1/2 W
1	100-36	PILOT LIGHT-6.3V. 25A.	
2	142-14	PICK-UP ARM - COMPLETE	
	142-16	CRYSTAL UNIT ONLY	
3	S-6625	OSC. COIL ASSEM.	
4	95-567	POWER TRANS.	
5	85-170	SWITCH	



ZENITH RADIO CORPORATION  
CHICAGO, ILL.