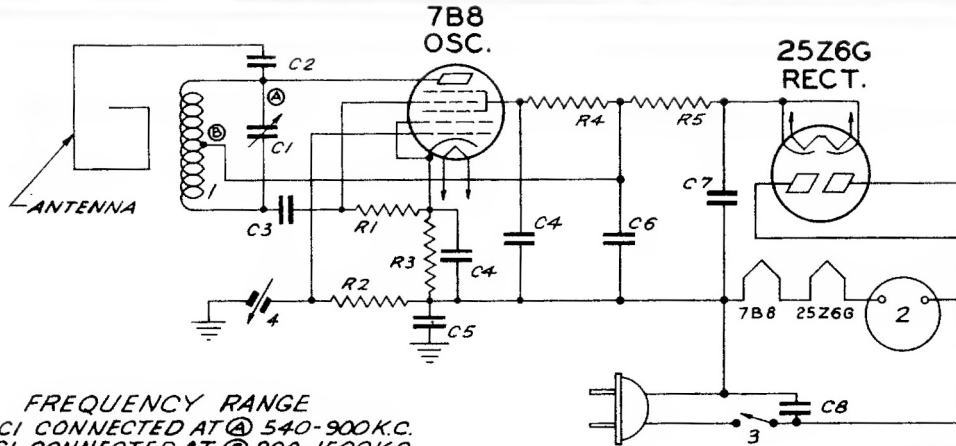


ZENITH RADIO CORPORATION

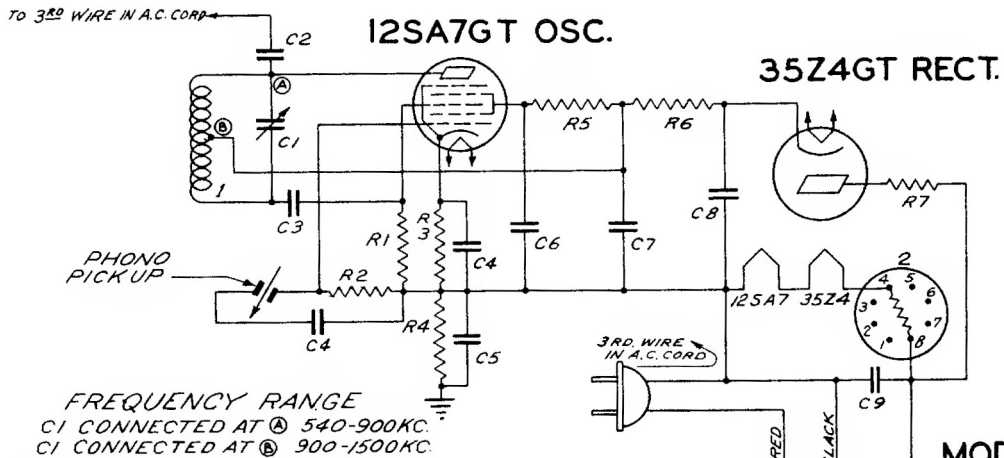
CHICAGO • ILLINOIS



MODELS
S8500Z

DIAG. No.	PART No.	DESCRIPTION	DIAG. No.	PART No.	DESCRIPTION
C1	22-690	TUNING CONDENSER	R2	63-464	1 MEGOHM
C2	22-127	25 MMFD.	R3	63-581	470 OHM
C3	22-182	.00025 MFD.	R4	63-964	4700 OHM
C4	22-829	.05 MFD.	R5	63-707	4700 OHM
C5	22-827	.1 MFD.	1	58611	OSC. COIL ASSEM.
C6	22-1061	8 MFD. ELECTROLYTIC	2	141-85	MOTOR (60 W.)
C7	22-1061	16 MFD. "	3	85-191	A.C. SWITCH
C8	22-869	.05 MFD.	4	142-30	PICKUP
R1	63-593	47 M OHM			

PHONOGRAPH OSCILLATOR
 ZENITH RADIO CORPORATION
 CHICAGO ILL.



DIAG. No.	PART No.	DESCRIPTION	DIAG. No.	PART No.	DESCRIPTION
C1	22-690	TUNING CONDENSER	R3	63-701	470 OHM
C2	22-127	25 MMFD.	R4	63-296	220 M OHM
C3	22-182	.00025 MFD.	R5	63-964	4700 OHM
C4	22-829	.05 MFD.	R6	63-803	2200 OHM
C5	22-827	.1 MFD.	R7	63-575	47 OHM
C6	22-243	.01 MFD.	1	58611	OSC. COIL ASSEM.
C7	22-243	8 MFD. ELECTROLYTIC	2	100-76	BALLAST TUBE
C8	22-876	.40 MFD. "	3	52-208	3 PRONG RECEPTACLE
C9	22-828	.05 MFD.			
R1	63-591	22 M OHM			
R2	63-271	1 MEGOHM			

MODEL
S9000