

Technical Manual

Everest DD66000



ACOUSTIC & ELECTRICAL SPECIFICATIONS:

- Nominal Impedance 8 Ohms
5.5 Ohms @ 85Hz
3.5 Ohms @ 40kHz
- Max Amp Power 500 Watts*
- Frequency Response 45Hz – 50kHz (–6dB)
32Hz – 50kHz (–10dB)
- Sensitivity 96dB (2.83V @ 1 meter)
- Crossover Frequency 150Hz (LF1 6dB/Octave)
700Hz (LF2 24dB/Octave)
20kHz (UHF 24dB/Octave)

SYSTEM COMPONENTS:

- Grille 362088-001 (black)
362088-002 (white)
- Low-Frequency Transducer 15" (381mm) Pulp-cone woofer (1501AL) x 2 (362330-001)
DC Resistance 9.2 Ohms, ±10%
- High-Frequency Transducer 4" (102mm) Beryllium compression driver (476Be) (362733-001)
DC Resistance 8.0 Ohms, ±10%
- Ultrahigh-Frequency Transducer 1" (25mm) Beryllium compression driver (045Be-1) (362366-001)
DC Resistance 3.1 Ohms, ±10%
- Crossover Network 361900-004, UHF
361900-003, HF
361900-001, LF1
361900-002, LF2

AURAL SWEEP TEST SPECIFICATIONS:

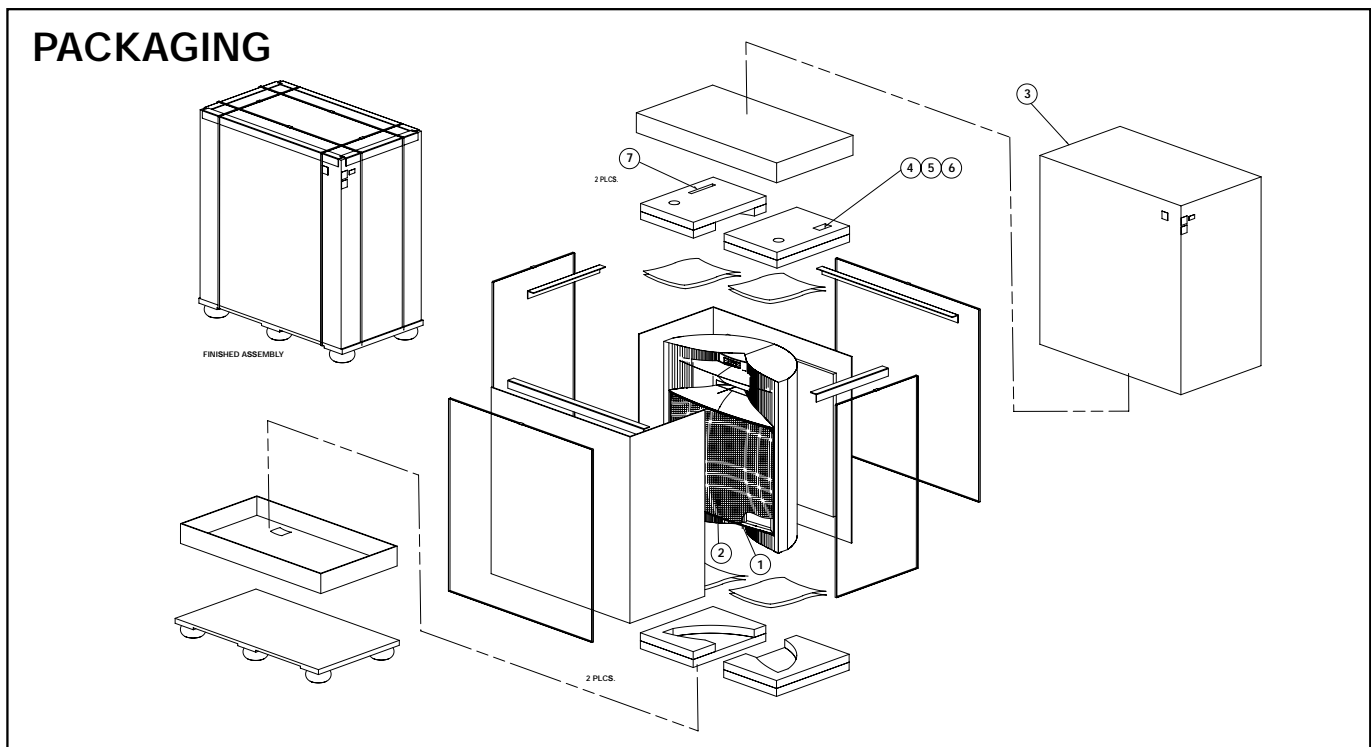
- System Aural Sweep Test 6.0V Input 45Hz to 20kHz
- L.F.1 Aural Sweep Test 5.0V Input 45Hz to 1kHz
- L.F.2 Aural Sweep Test 5.0V Input 45Hz to 1kHz
- H.F. Aural Sweep Test 1.00V Input 700Hz to 20kHz
- H.F. Aural Sweep Test N/A

PHYSICAL SPECIFICATIONS:

- Dimensions (H x W x D) 38" x 43-5/8" x 18-1/2" (including feet)
(965mm x 1109mm x 469mm)
- Weight (without grille) 302 lb (137kg) (each)
- Weight (with grille) 312 lb (142kg) (each)

WARRANTY:

- Refer to Warranty Statement packed with each product.
- * The maximum recommended amplifier power rating will ensure proper system headroom to allow for occasional peaks. We do not recommend sustained operation at these maximum power levels.



Release Date 2006
Discontinued Date XXXX

Harman Consumer Group, Inc., 250 Crossways Park Drive, Woodbury, New York 11797

H A Harman International Company

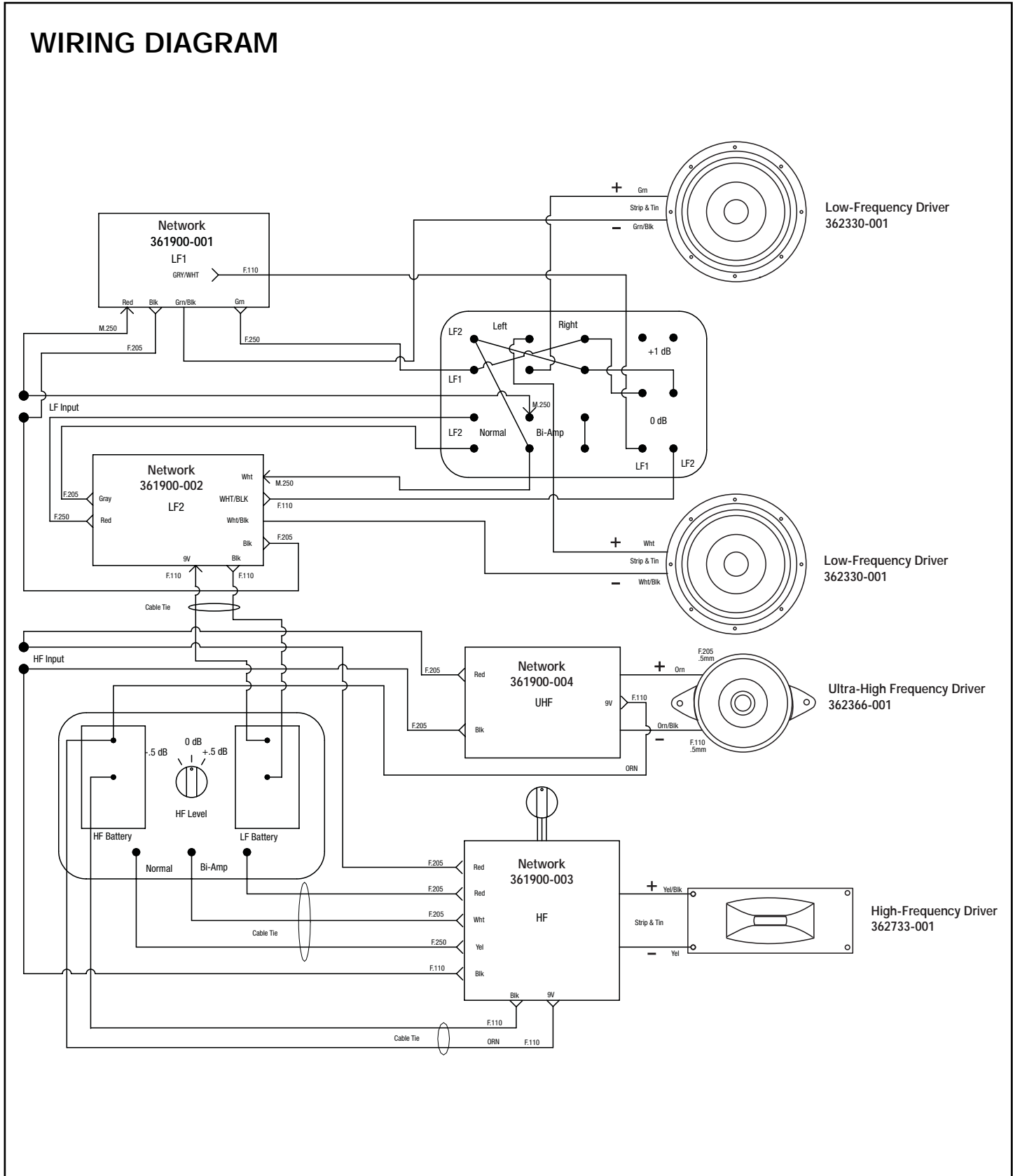
Everest DD66000

Technical Manual

Everest DD66000



WIRING DIAGRAM



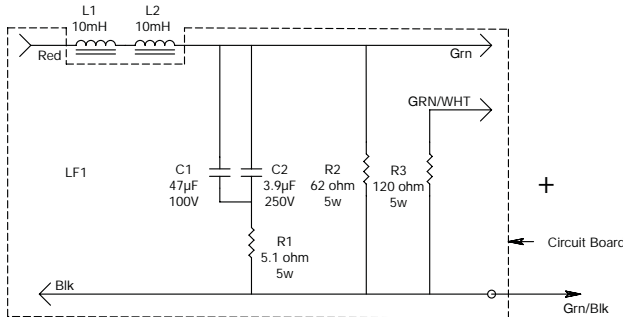
Everest DD66000

Technical Manual

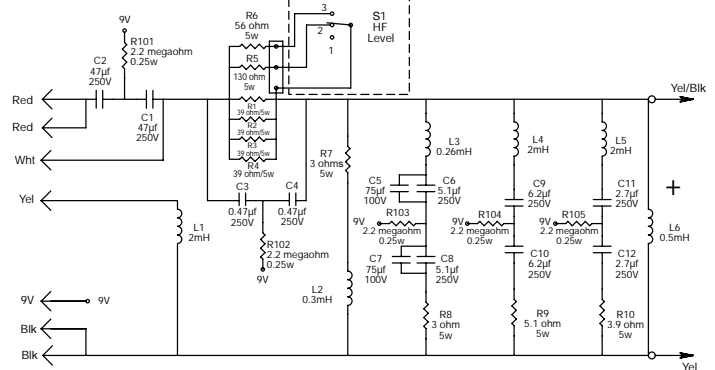
Everest DD66000



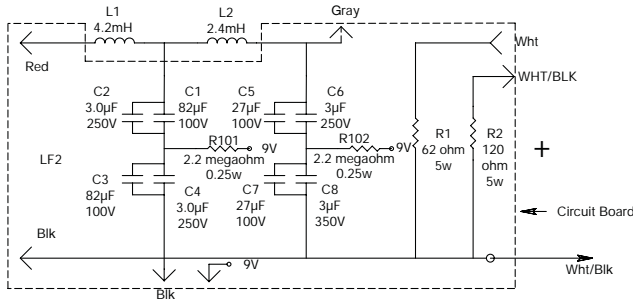
LF1 SCHEMATIC



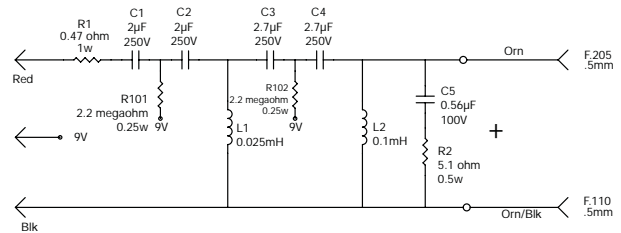
HF SCHEMATIC



LF2 SCHEMATIC



UHF SCHEMATIC



TO SERVICE THE DD66000

Shorting straps, 9 volt batteries:

Remove the front grille; Grille removal is described in the owner's manual. All controls, and replacement of the 9 volt batteries, are under the cover at the center bottom of the front baffle.

All crossover networks (four) are inside the cabinet at various locations (see exploded view) but none are physically attached or accessed through the terminal cup at the rear. Woofer removal is necessary.

If terminal cup/port tube ass'y at the rear needs service, the (14) machine screws all have at nut on the end, inside the cabinet, so at least one woofer removal is necessary to hold the nuts and prevent each screw from spinning.

Replacement or service of the UHF driver is accomplished by simply pushing the UHF housing (port) #25 up vertically with your thumbs, as it's held in place with a pin/cup arrangement. All UHF driver components will then be exposed.

Replacement or service of the LF driver requires access through the woofer opening, following these steps.

NOTE: IT IS RECOMMENDED TWO PERSONS BE INVOLVED IN DD66000 DISASSEMBLY

1. Lay the loudspeaker down, on its back (drivers facing up), on a padded surface.
2. Remove the grille; Grille removal is described in the owner's manual.
3. Remove the (8) Phillips woofer screws holding each woofer; remove the trim rings.
4. The woofer is best extracted by inserting two 1/4 x 20 (3" or longer) threaded machine screws into opposite sides of the woofer screw

openings. Thread the bolts into the woofer openings by hand, then pull upwards, lifting the woofer from the counterbore. Then while one person supports the woofer, another can remove both connecting wires from the terminals. Set the woofer(s) aside; do not set it on the front baffle as it may damage the leather cover.

5. The HF driver can now be removed from the cabinet: it is attached to mounting plate #23 (shown upside-down in the exploded view) and can be removed by loosening, not removing the (2) wing nuts #37 (knobs) and dislodging the slotted plate & driver from its position. Then the HF driver can be unbolted from the plate and the wires removed.

Should the leather cover on the front baffle ever need to be replaced, after woofer removal the front baffle can be extracted by the removal of (8) hex bolts at the rear of the baffle; these are not shown in the exploded view. Work the front baffle out of the cabinet. The leather cover is glued and stapled to the front baffle. The leather cover is not available from JBL as a separate part, and a suitable upholstery shop will need to remove and re-cover the front baffle with a material of your choice. The leather is described as 0.050" Waterproof Leather Hide, color Black for all finishes except the white version of the DD66000, and that leather color is Cashmere.

NOTES UPON REASSEMBLY

- Remember to observe correct polarity when reattaching all driver wires.
- Any cable ties that have been cut will need to be replaced
- One woofer screw, on each woofer, on the extreme right/left sides of the woofer hole is slightly shorter than the others; assure this screw is replaced only into its proper hole (#39 in exploded view)

Technical Manual

Everest DD66000



PARTS LIST EVEREST DD66000

ITEM	PART NO.	DESCRIPTION	QTY.				
				40	804-73114-32	SCREW, 10-32X2, SKT, HEX,	14
1	362088-001	ASY, GRILLE, BLK (CHERRY, ROSEWOOD, EBONY MODELS)	1			AL-2000 BLK WFR	
	362088-002	ASY, GRILLE, WHT (MAPLE MODEL)	1	41	806-11010-20	SCREW, 1/4-20 X 1 1/4, FLT, PH, UNC, BLK ZNC, L THROAT	4
2	362682-001	LOGO	1	42	833-30100-00	NUT, 10-32, KEPS, CLR ZINC, LCS, RIGHT PTB/TERM	12
3	362913-001	OUTER CARTON	1	43	883-41110-16	SCREW, 8 X 1, PAN, PH, PB, BLK ZINC, LCS NTWK/LF1/LF2	6
4	338067-004	FOOT, SPIKE, SPKR	4	44	883-41110-12	SCREW, 8 X 3/4, PAN, PH, PB, BLK ZINC, LCS NTWK/UHF/HF	8
5	338067-005	FOOT, BASE, FLOOR	4	45	802-41010-08	SCREW, 6-32 X 1/2, PAN, PH, BLK ZINC, LCS UHF/HORN	2
6		BATTERY 9V	2	46	804-41110-08	SCREW, 10-32 X 1/2, PAN, PH, BLK ZINC, LCS UHF/HORN/HSG	2
7	363207-001	DRIVER, HEX, 5/32	1	47	806-01000-16	SCREW, 1/4-20 X 1, FIL, PH, CLR ZINC, LCS FOOT/ADPTR	8
8	362330-001	ASY, WOOFER, SINGLE-PK-1501AL	2	48	844-01110-07	WASHER, 1/4, SAE, REG, BLK ZINC, LCS LIPS	24
9	362733-001	ASY, DRIVER HI-FREQ-476BE	1	49	834-30010-00	NUT, 1/4-20, KEPS, BLK ZINC, LCS, RIGHT LIPS	16
10	362366-001	TWEETER, UHF-045BE-1	1	50	338067-002	FOOT, BASE, SPKR	4
11	361900-004	NETWORK, UHF	1	51	338067-003	FOOT, SLIDE, SPKR	4
12	361900-003	NETWORK, HF	1	52	884-41100-12	SCREW, 10 X 3/4, PAN, PH, PB, CLR ZC, LCS TIE-WRAP	3
13	361900-001	NETWORK, LF1	1	53	66606-01	PIN, GRILLE, 7/8, LONGSTEEL, BLK	4
14	361900-002	NETWORK, LF2	1	54	337538-001	CUP, GRILLE, SMALL (UHF DRIVER HOUSING)	1
15	361900-005	CTRL BD, LF, NETWORK	1	55	333249-001	CUP, GRILLE, LARGE (GRILLE, UHF DRIVER HOUSING)	6
16	361900-006	CTRL BD, HF, NETWORK	1	56	362682-001	JBL LOGO	1
17	354921-001	ASY, PORT TUBE/INPUT TERMINAL ASS'Y	1	57	363170-001	PLUG, FOAM	6
18	362685-002	FRONT PANEL CONTROL COVER, CASTING, FNSHD	1	58	338166-001	GSKT, UHF, TOP	1
19	361865-002	TRIM RING, 15", PNTD	2	59	363469-001	PAD, DAMPING, HORN-EVEREST	2
20	361795-005	HF HORN LIP, UPPER, PNTD	1	60	073-111010-100ZR	SHORTING BAR, GOLD PLATED (CONTROL PANEL)	7
21	361795-006	HF HORN LIP, LOWER, PNTD	1	61	184-921200-169ZR	SHORTING STRAP, WIRE (MAIN INPUT CUP)	2
22	361790-002	THROAT, HORN, PNTD	1	62	072-060418-000ZR	BINDING POST, GOLD PLATED (CONTROL PANEL)	21
23	361796-001	ADAPTER, THROAT, RAW,	1	63	072-060186-000ZR	BINDING POST, GOLD PLATED (MAIN INPUT CUP) POSITIVE, RED	2
24	361861-002	HORN, UHF, PNTD	1	64	072-060187-000ZR	BINDING POST, GOLD PLATED (MAIN INPUT CUP) NEGATIVE, BLK	2
25	361899-002	HOUSING, UHF, PNTD	1				
26	352363-001	BUSHING, RUBBER 2452H	6				
27	362625-001	STUD, THREADED, 1/4-20X3.0"	7				
28	362625-002	STUD, THREADED, 1/4-20X3.5"	4				
29	362625-003	STUD, THREADED, 1/4-20X5.5"	5				
30	362627-001	STUD, THREADED, 5/16-18X3.0"	2				
31	338073-001	GASKET, DRVR, 15"	2				
32	362063-001	GASKET, THROAT	2				
33	362065-001	GASKET, PTB/TERM, FLANGE	1				
34	362740-001	GASKET, CTRL BD, CAB	2				
35	339976-001	GASKET, UHF	1				
36	338168-001	GASKET, FOOT	4				
37	362848-001	KNOB, 5/16-18, FEMALE	2				
38	883-11110-16	SCREW, 8 X 1, FLT, PH, PB, BLK ZINC, LCS CTRL BD	20				
39	804-73114-24	SCREW, 10-32 X 1 1/2, SKT, HEX, AL-2000 BLK WFR/PTB/TERM/CAB	14				

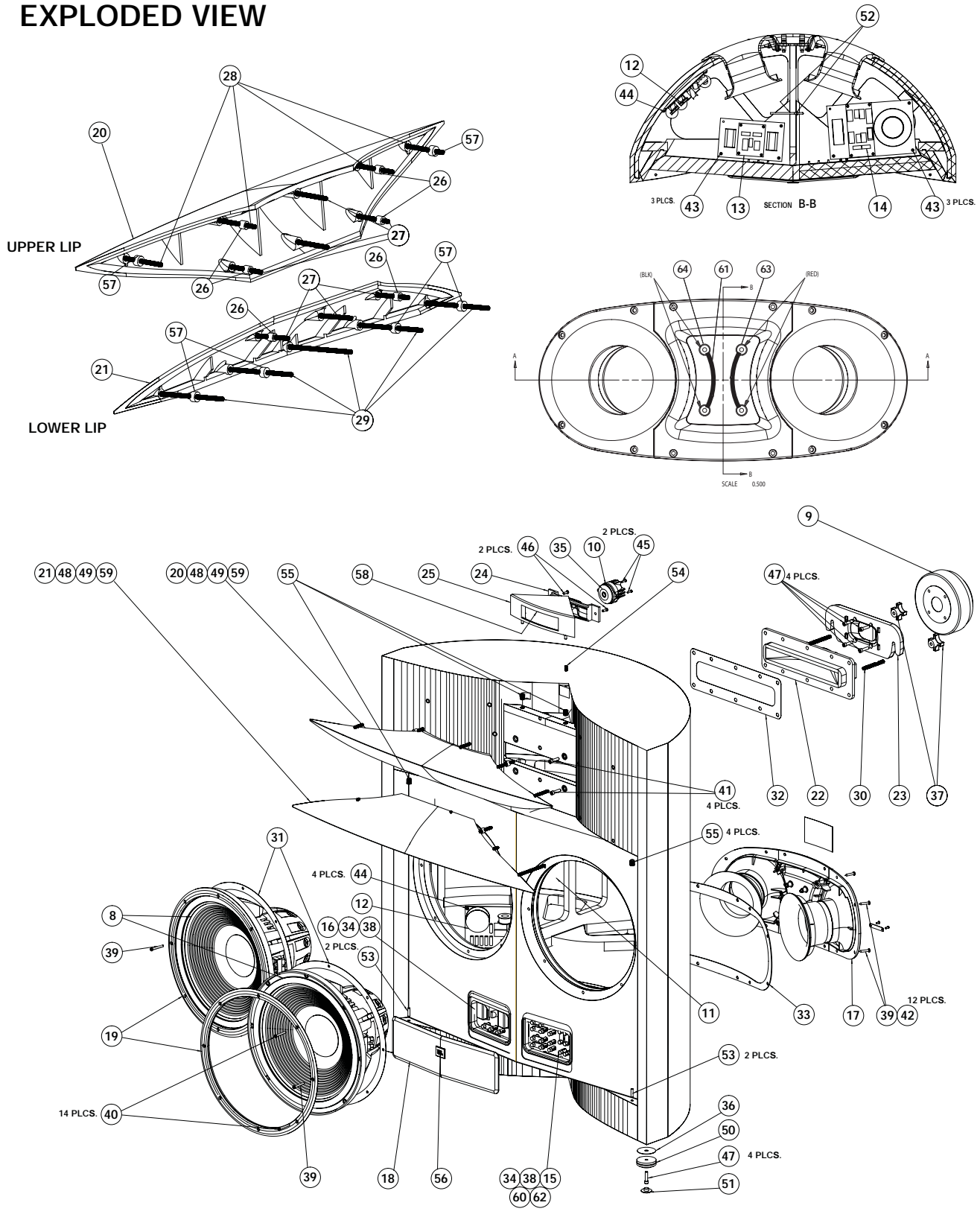
Everest DD66000

Technical Manual

Everest DD66000



EXPLODED VIEW



Everest DD66000